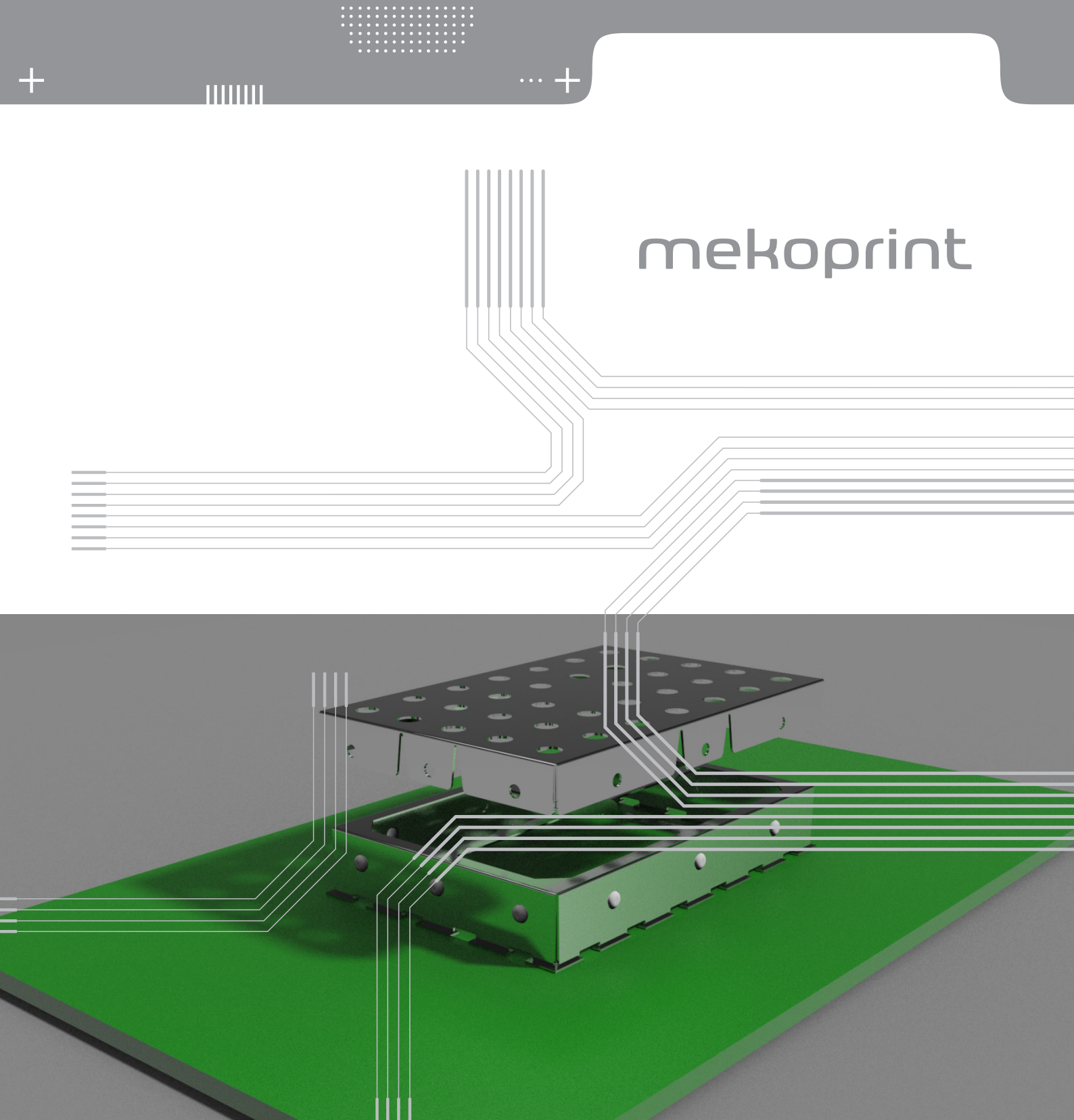


EMC Shielding Catalogue

mekoprint



Standard EMC shielding cans as stocked items

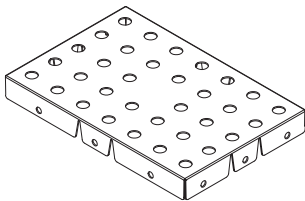
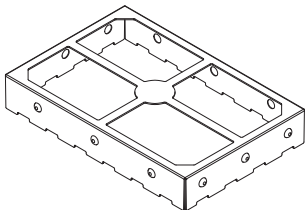
Mekoprint guarantees a design with thoroughly tested locking and flatness. The cans are punched out using rigid tools which ensure a flatness tolerance of less than 0.12 mm. All sizes are supplied aligned in an antistatic tape-and-reel format, which protects against dust, shock and ESD. The standard cans are designed to be soldered directly on the PCB, and such that the solder flows correctly under the edge. Available as an enclosed can, or a frame with a removable lid. Both types have ventilation holes.

Material: 0.2 mm tin-plated steel.

Packaging: Supplied in tape-and-reel format. MOQ is the quantity per reel.

Advantages of using standard sizes

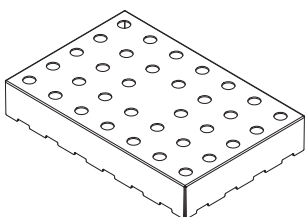
- No tool costs
- Stocks are kept of the standard range, ensuring short delivery times
- Standard shielding is available either as an enclosed can, or in two parts as a frame and lid
- Supplied in tape-and-reel format for easy SMD mounting



EMC Shielding FRAME & LID, Meko-F20/C20-Series

Frame Prod No	Lid Prod No	Length in mm	Width in mm	Height in mm	Carrier tape in mm	Carrier tape pitch mm	Number of items/reel
F20-1	C20-1	13,66	12,70	3,00	24	20	1000
F20-2	C20-2	16,50	16,50	3,60	32	24	700
F20-3	C20-3	25,40	18,30	6,00	32	28	500
F20-4	C20-4	26,21	26,21	5,08	44	32	300
F20-5	C20-5	32,00	32,00	6,00	44	36	225
F20-6	C20-6	36,83	33,68	5,08	56	40	300
F20-7	C20-7	38,10	25,40	6,00	56	32	250
F20-8	C20-8	39,60	39,60	7,00	56	48	150
F20-9	C20-9	44,00	30,50	3,00	56	36	200
F20-10	C20-10	44,37	44,37	9,75	56	56	120

EMC Shielding CANS, Meko-B10-Series

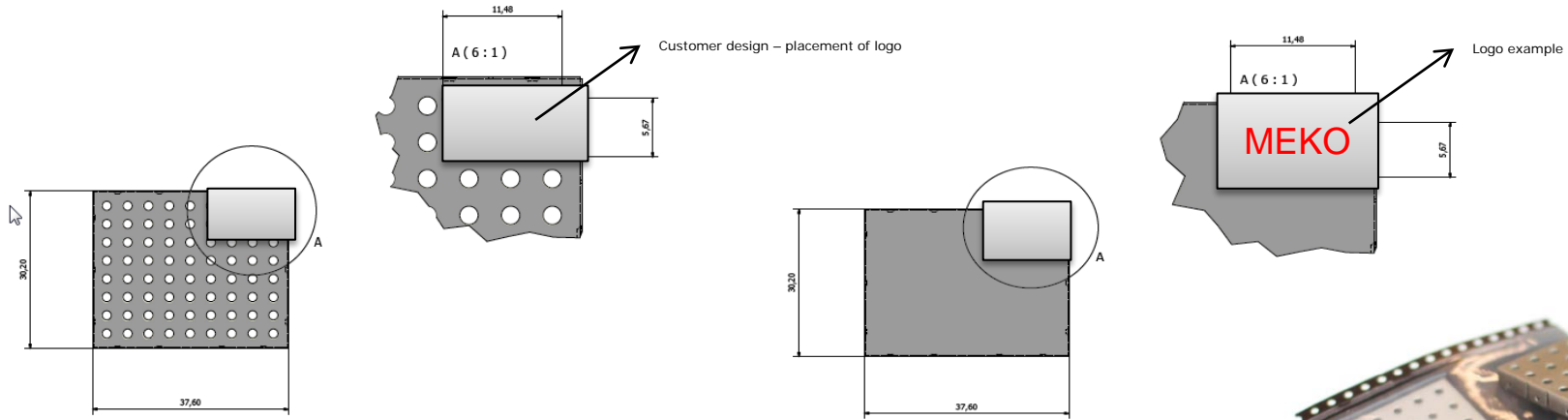


Product No	Length in mm	Width in mm	Height in mm	Carrier tape in mm	Carrier tape pitch mm	Number of items/reel
B10-1	13,66	12,70	3,00	24	20	1000
B10-2	16,50	16,50	3,60	32	24	700
B10-3	25,40	18,30	6,00	32	38	500
B10-4	26,21	26,21	5,08	44	32	300
B10-5	32,00	32,00	6,00	44	36	225
B10-6	36,83	33,68	5,08	56	40	300
B10-7	38,10	25,40	6,00	56	32	250
B10-8	39,60	39,60	7,00	56	48	150
B10-9	44,00	30,50	3,00	56	36	200
B10-10	44,37	44,37	9,75	56	56	120

Where standard sizes do not meet your requirements, we can offer a customised solution, either using contour etching or stamping. We work with stainless steel, nickel silver, beryllium copper, Mu-Metal, tin-plated steel and stainless spring steel, and we offer a broad range of surface treatments.

Mekoprint is a leading manufacturer of integrated EMC shielding cans designed using our own lock and bend principles, whether you need low, medium or high volume.

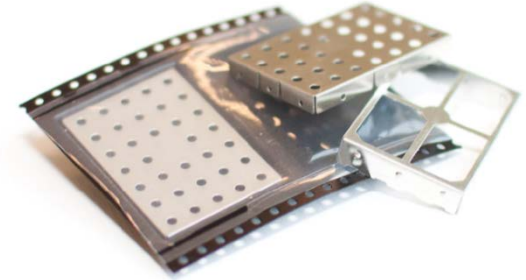




Mekoprint standard EMC cover (C20 series)

Can be produced in several different variations, at the same low item price.

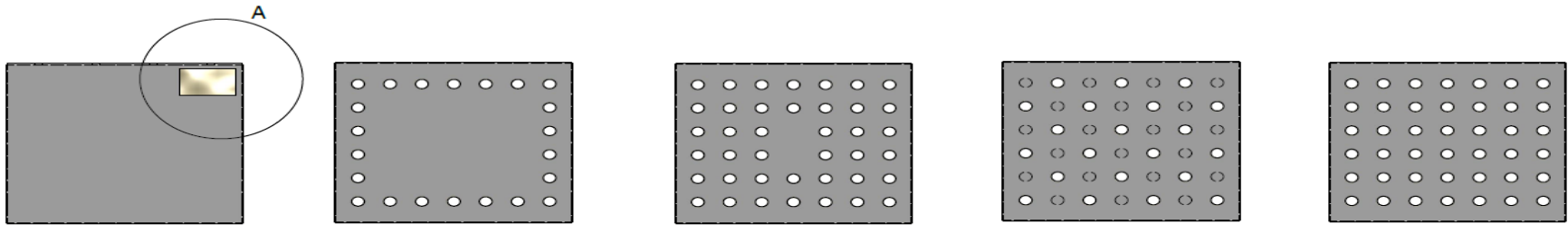
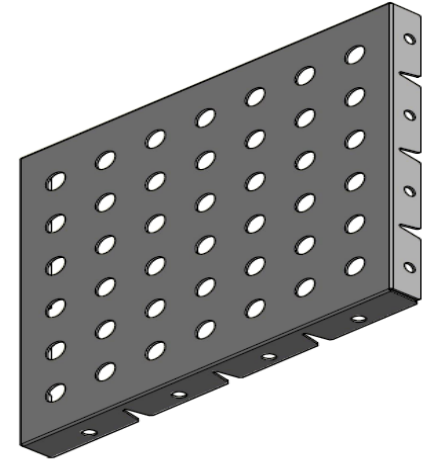
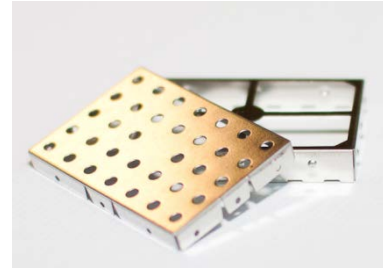
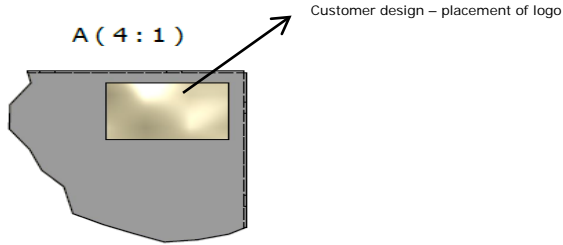
A minor cost is related to obtaining logo tools, which can be inserted in the major tool. (see example of size and placement in the light grey area of this principal drawing)



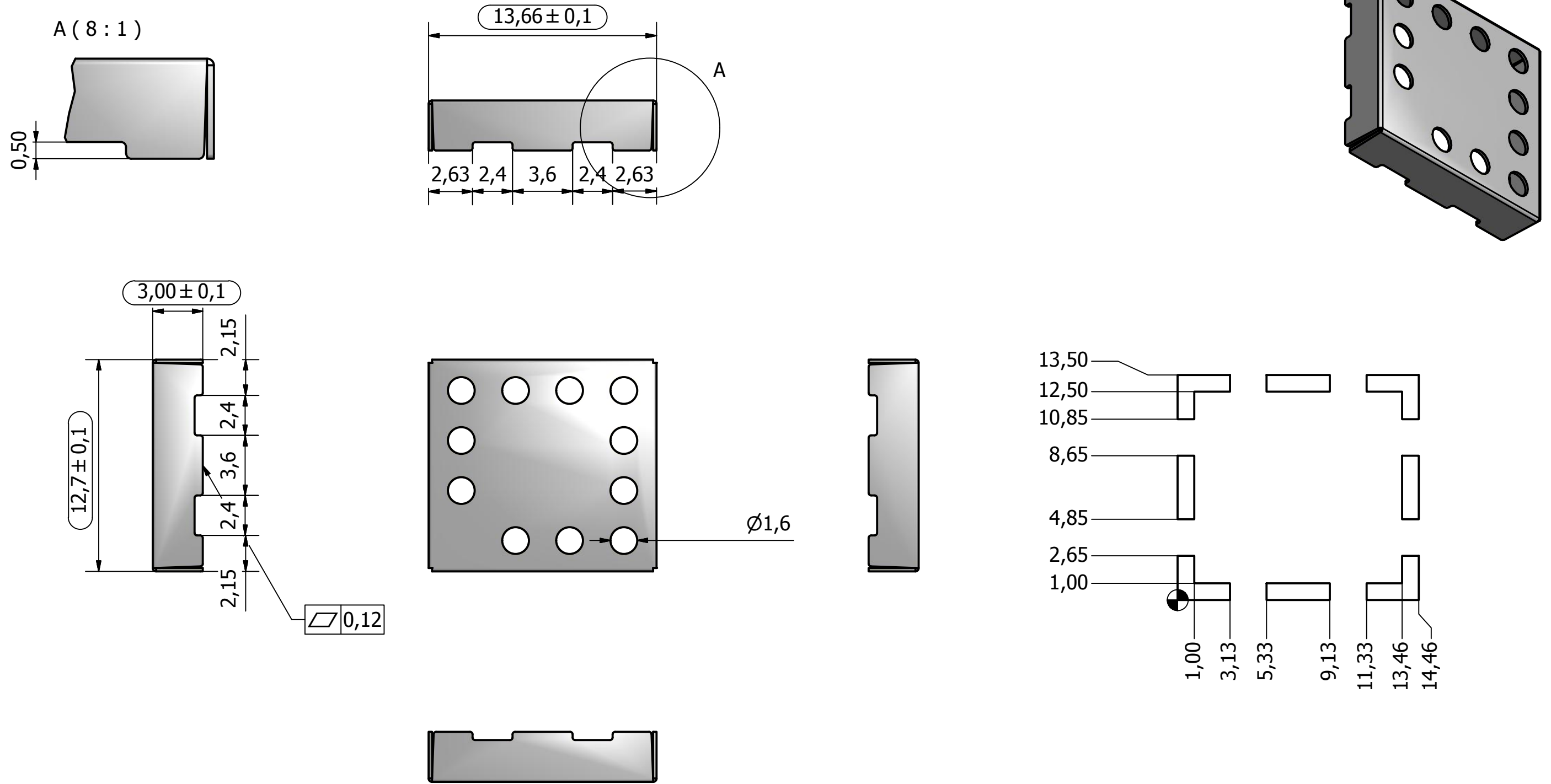
Mekoprint standard EMC cover (C20 series)

Can be produced in several different variations at the same low item price.

This sketch drawing indicates the flexibility and different options for placement of the holes.



Mekoprint standard series: ONE PIECE. B10-1 / MRP number 1019550A

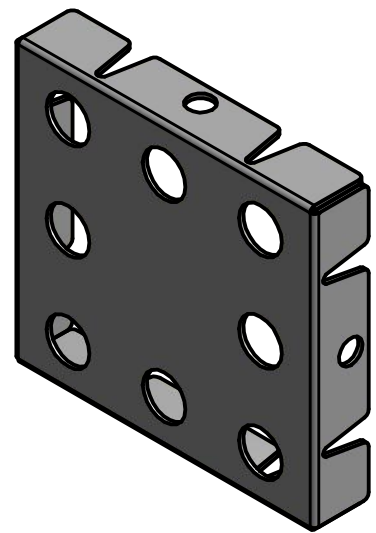
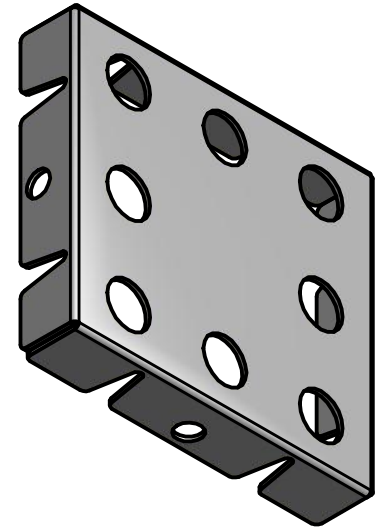
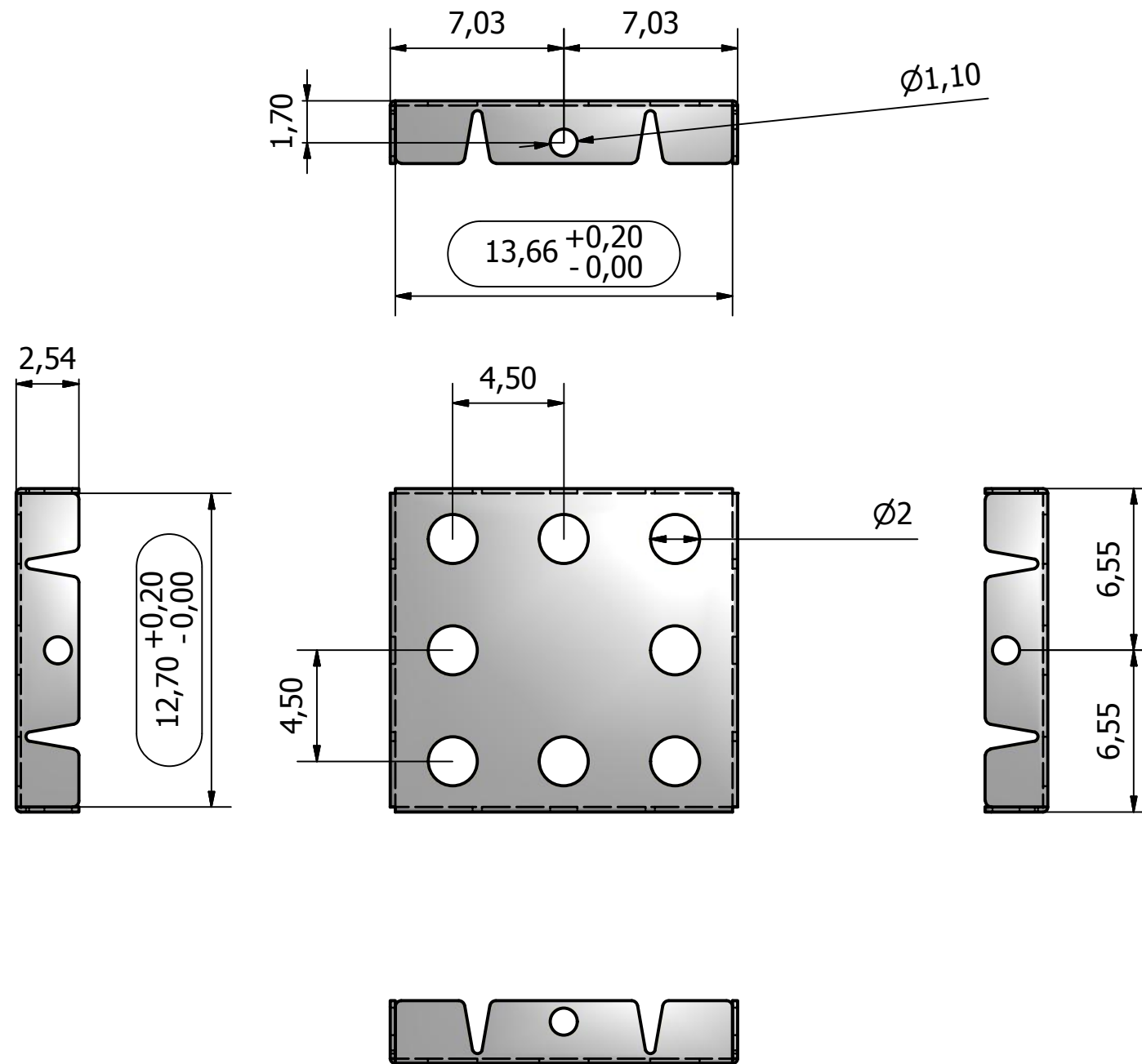


REVISION HISTORY			
REV	DESCRIPTION	DATE	DESIGNER
1		02-02-2011	AMD
2	Modification from 2,54 to 3,0 mm	03-03-2011	HBN

DESCRIPTION: EMC SHIELD				mekoprint chemigraphics	
MATERIAL: EN 10202/01 (tin plated steel) 0,2 mm			CUSTOMER: MEKOPRINT		
SURFACE:		MUST BE IN ACCORDANCE WITH DIRECTIVE 2002/95/EC (RoHS)		CUSTOMER DWG. NO.: B10-1	
CREATION DATE: 24-01-2011	INIT. DESIGNER: AMD	SCALE: 4:1	TOLERANCE: DS/ISO 2768-1M UNLESS OTHERWISE SPECIFIED		MEKOPRINT DWG. NO.: 1019550A

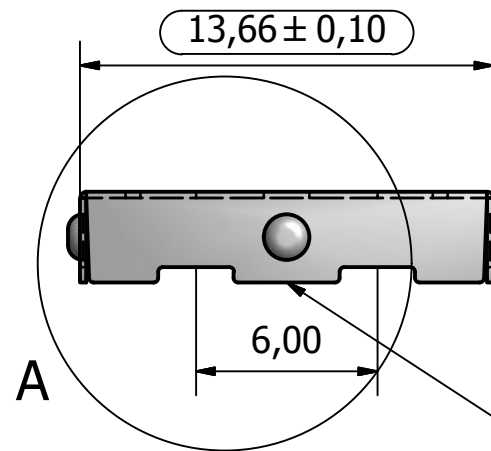
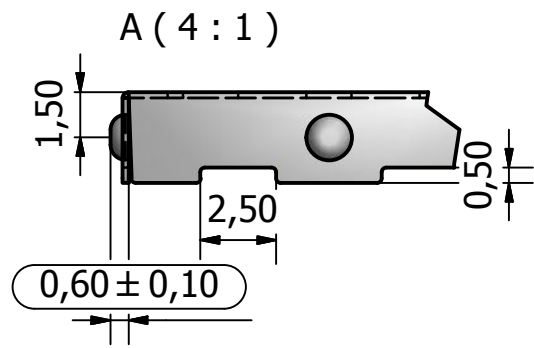
Copyright and property of Mekoprint A/S. This drawing is solely for the purpose of its intended use and is confidential, and may not be passed on to any 3. party without prior written consent from Mekoprint A/S

Mekoprint standard series: TWO PIECES. Assembly number F20-1 & C20-1 / MRP number 1021395A & 1021402A

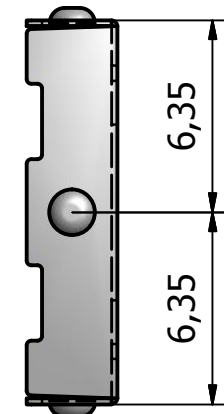
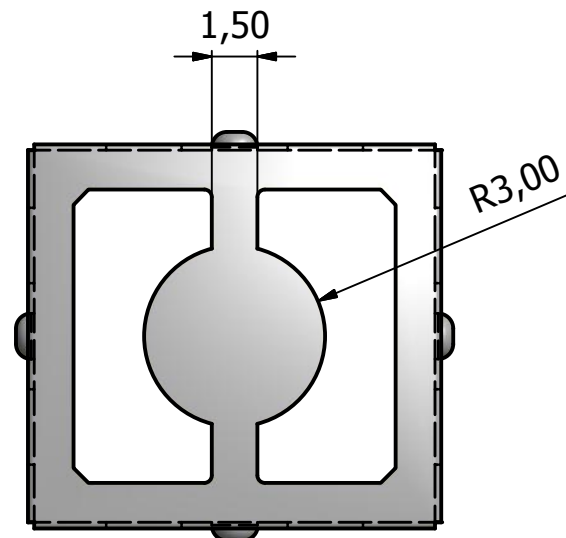
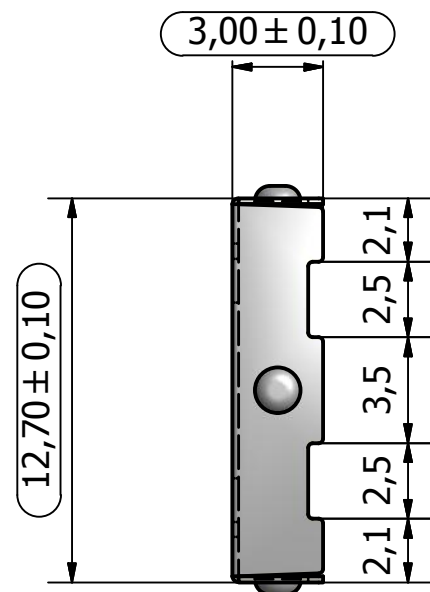
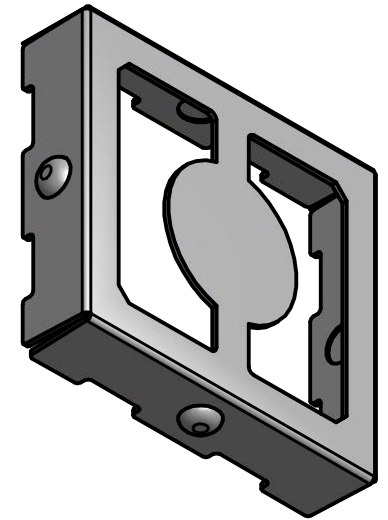


DESCRIPTION: EMC SHIELD				mekoprint
MATERIAL: TIN PLATED STEEL 0,2 MM			CUSTOMER: MEKOPRINT	
SURFACE:			CUSTOMER DWG. NO.: C20-1	
DATE: 06-03-2014	INIT. DESIGNER: HBN	SCALE: 4:1	TOLERANCE: DS/ISO 2768-1M UNLESS OTHERWISE SPECIFIED	MEKOPRINT DWG. NO.: 1021402A

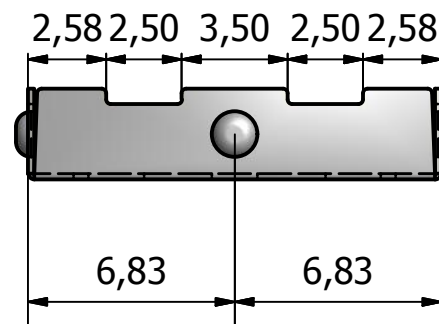
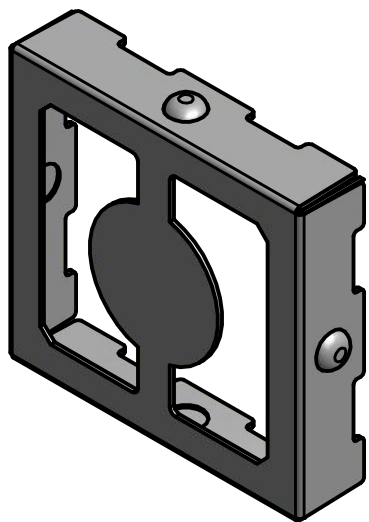
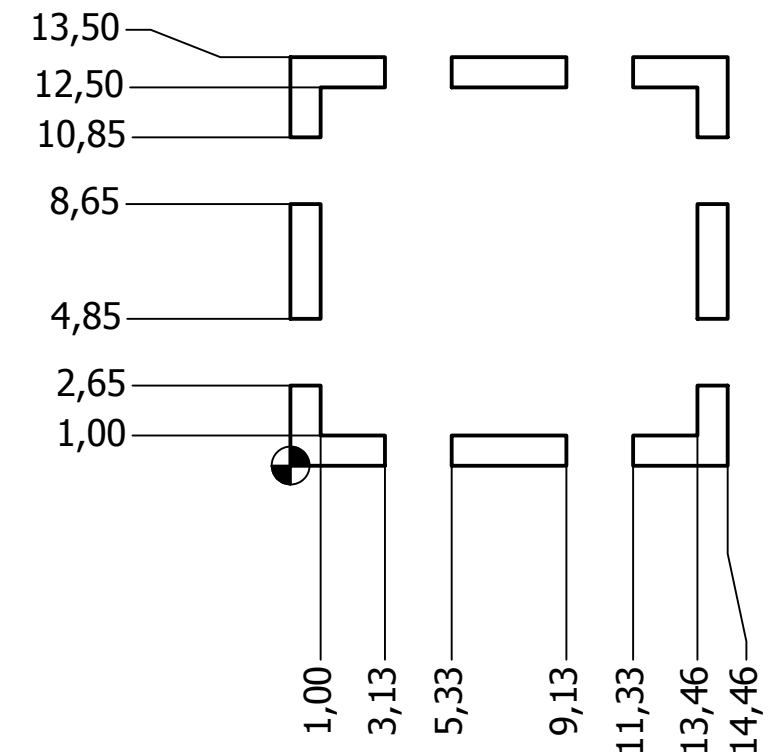
Mekoprint standard series: TWO PIECES. Assembly number F20-1 & C20-1 / MRP number 1021395A & 1021402A



\square 0,12

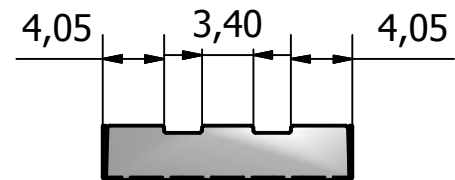
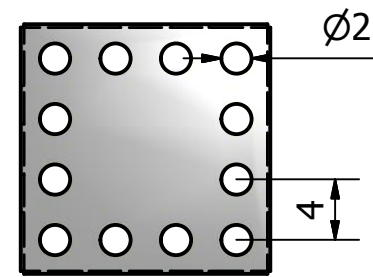
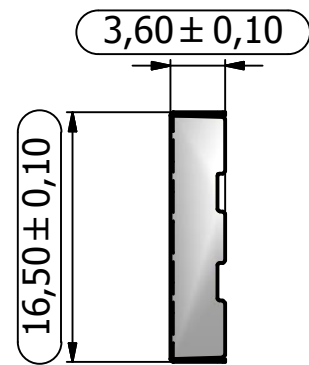
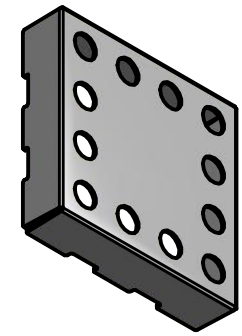
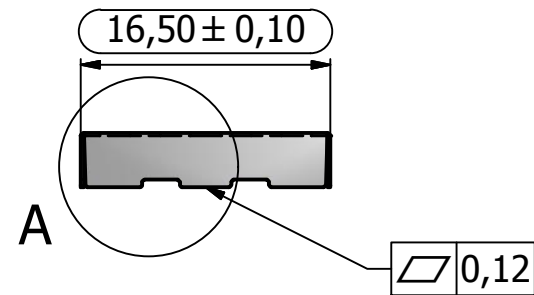
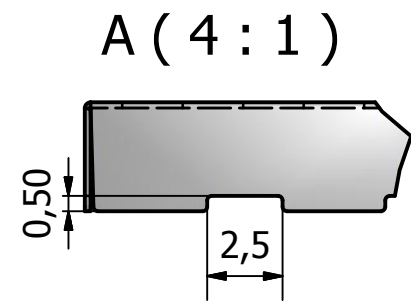


Footprint:

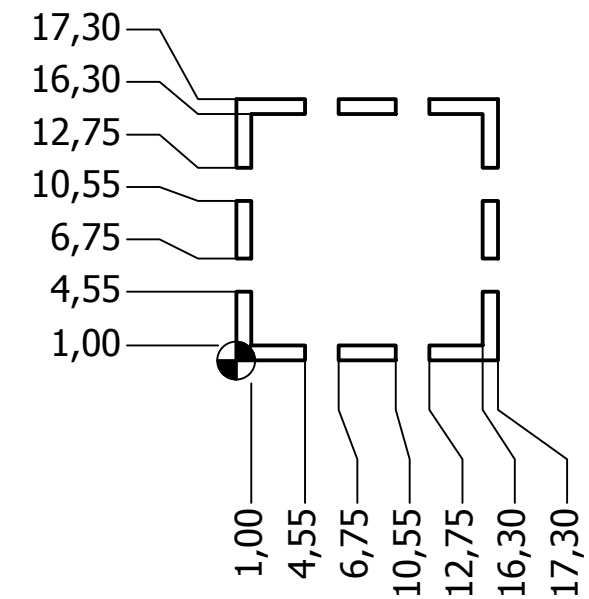


DESCRIPTION: EMC SHIELD				mekoprint	
MATERIAL: TIN PLATED STEEL 0,2 MM				CUSTOMER: MEKOPRINT	
SURFACE:				CUSTOMER DWG. NO.: F20-1	
DATE: 06-03-2014	INIT. DESIGNER: HBN	SCALE: 4:1	TOLERANCE: DS/ISO 2768-1M UNLESS OTHERWISE SPECIFIED	MEKOPRINT DWG. NO.: 1021395A	

Mekoprint standard series: ONE PIECE. B10-2 / MRP number 1021384A



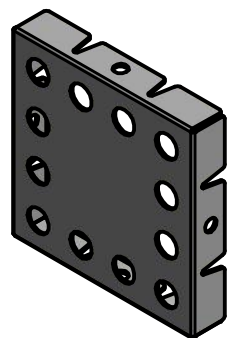
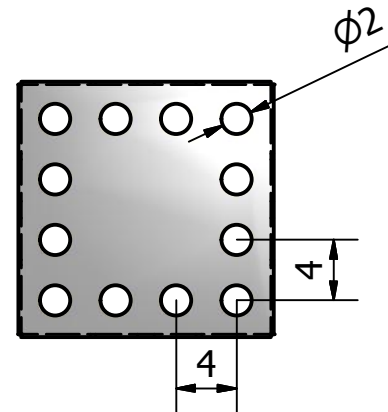
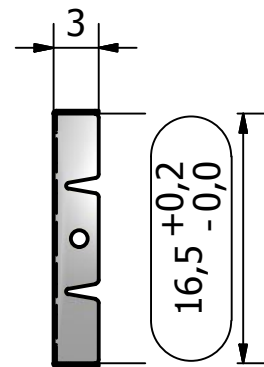
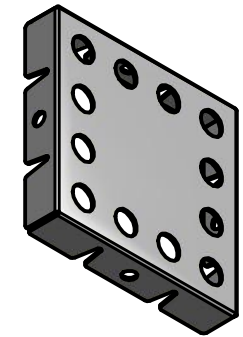
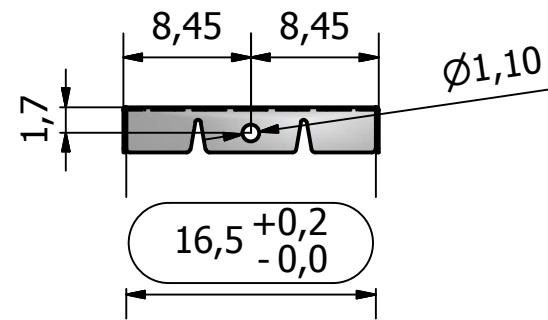
Footprint:



Copyright and property of Mekoprint A/S. This drawing is solely for the purpose of its intended use and is confidential, and may not be passed on to any 3. party without prior written consent from Mekoprint A/S

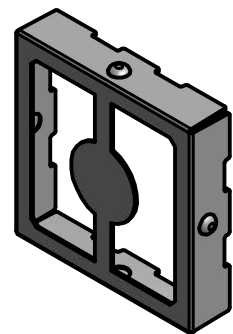
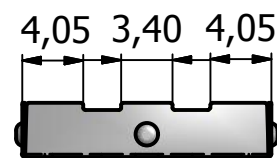
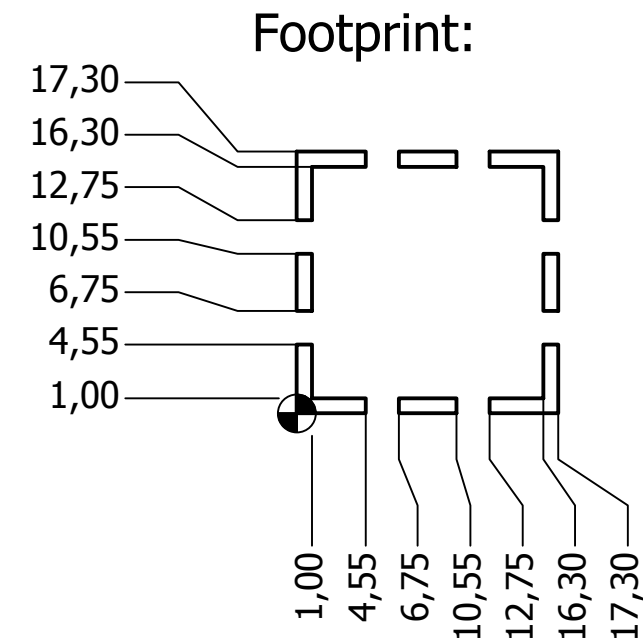
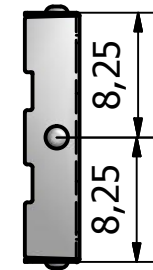
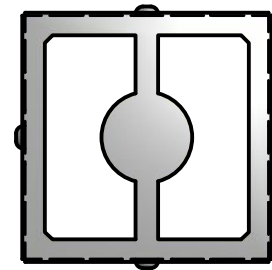
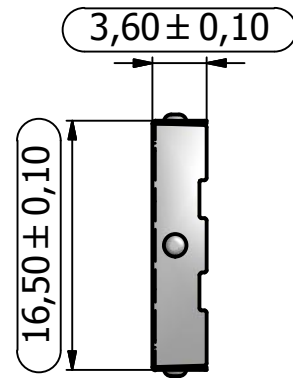
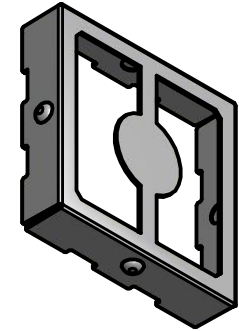
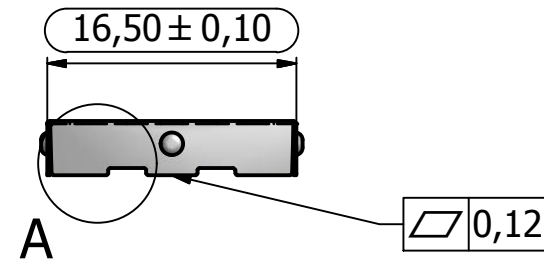
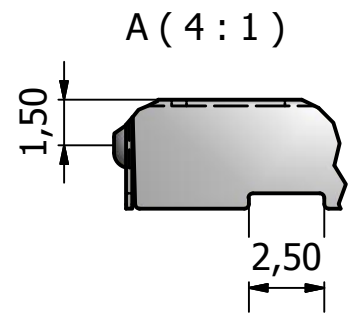
DESCRIPTION: EMC SHIELD				mekoprint	
MATERIAL: TIN PLATED STEEL 0,2 MM				CUSTOMER: MEKOPRINT	
SURFACE:				CUSTOMER DWG. NO.: B10-2	
DATE: 06-03-2014	INIT. DESIGNER: HBN	SCALE: 2:1	TOLERANCE: DS/ISO 2768-1M UNLESS OTHERWISE SPECIFIED	MEKOPRINT DWG. NO.: 1021384A	

Mekoprint standard series: TWO PIECES. F-20-2 & C20-2 / MRP number 1021396A & 1021403A



DESCRIPTION: EMC SHIELD				mekoprint
MATERIAL: TIN PLATED STEEL 0,2 MM			CUSTOMER: MEKOPRINT	
SURFACE:			CUSTOMER DWG. NO.: C20-2	
DATE: 07-03-2014	INIT. DESIGNER: HBN	SCALE: 2:1	TOLERANCE: DS/ISO 2768-1M UNLESS OTHERWISE SPECIFIED	MEKOPRINT DWG. NO.: 1021403A

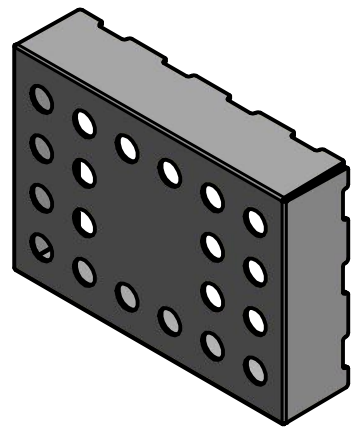
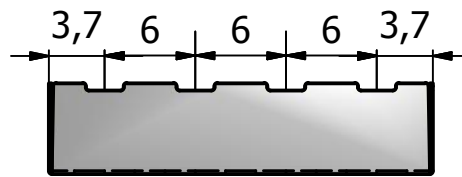
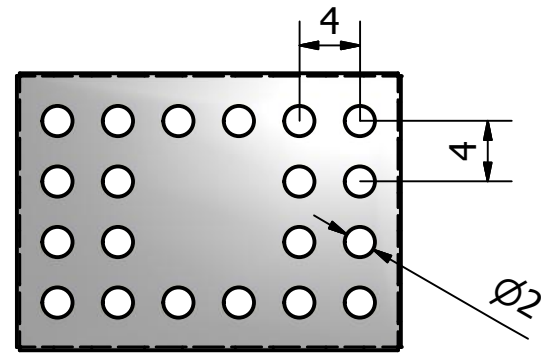
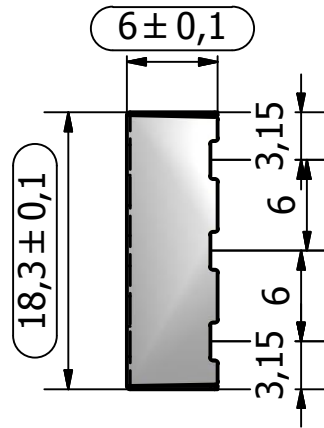
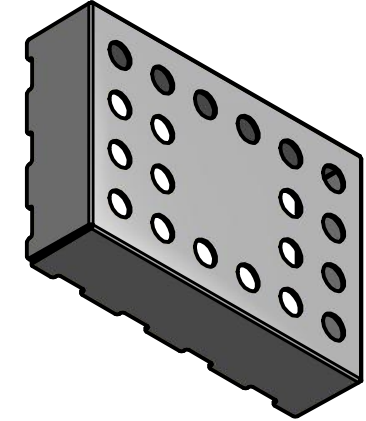
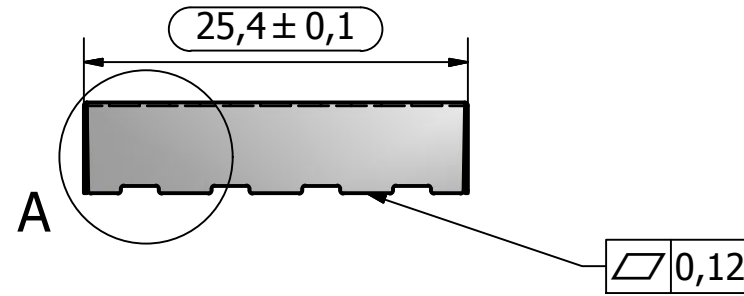
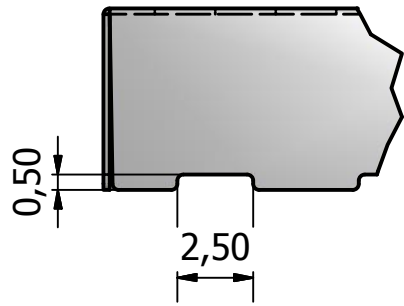
Mekoprint standard series: TWO PIECES. F-20-2 & C20-2 / MRP number 1021396A & 1021403A



DESCRIPTION: EMC SHIELD				mekoprint	
MATERIAL: TIN PLATED STEEL 0,2 MM				CUSTOMER: MEKOPRINT	
SURFACE:				CUSTOMER DWG. NO.: F20-2	
DATE: 06-03-2014	INIT. DESIGNER: HBN	SCALE: 2:1	TOLERANCE: DS/ISO 2768-1M UNLESS OTHERWISE SPECIFIED	MEKOPRINT DWG. NO.: 1021396A	

Mekoprint standard serie: ONE PIECE. B10-3 / MRP number 1021385A

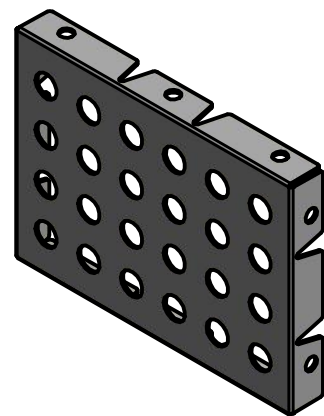
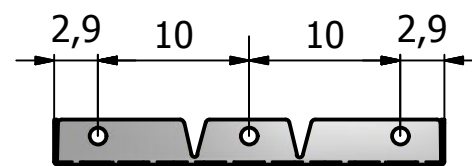
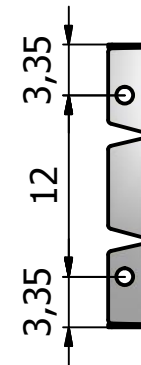
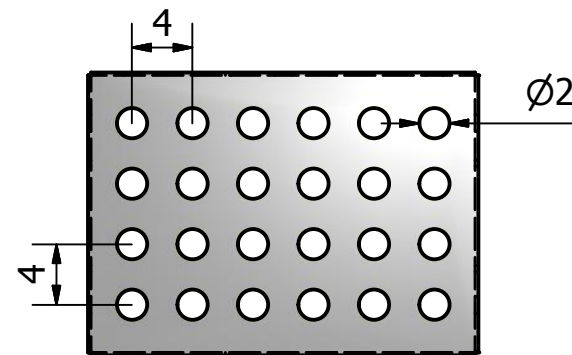
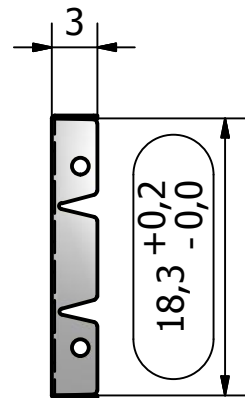
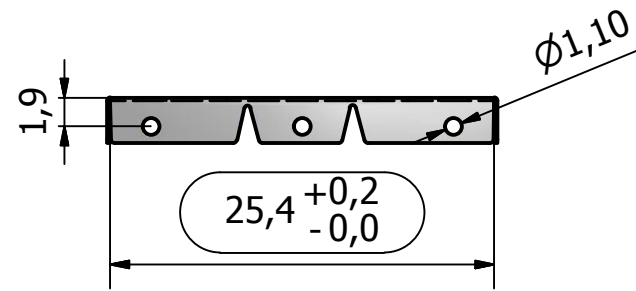
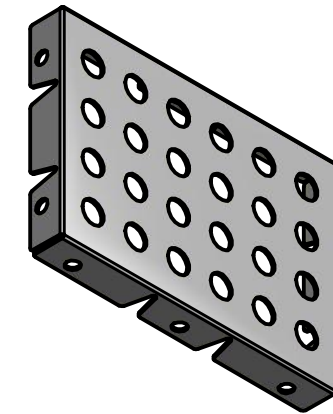
A (4:1)



Copyright and property of Mekoprint A/S. This drawing is solely for the purpose of its intended use and is confidential, and may not be passed on to any 3. party without prior written consent from Mekoprint A/S

DESCRIPTION: EMC SHIELD				mekoprint
MATERIAL: TIN PLATED STEEL 0,2 MM			CUSTOMER: MEKOPRINT	
SURFACE:			CUSTOMER DWG. NO.: B10-3	
DATE: 07-03-2014	INIT. DESIGNER: HBN	SCALE: 2:1	TOLERANCE: DS/ISO 2768-1M UNLESS OTHERWISE SPECIFIED	MEKOPRINT DWG. NO.: 1021385A

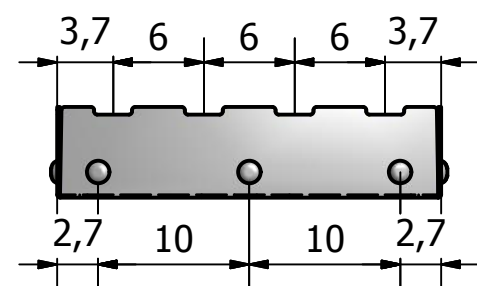
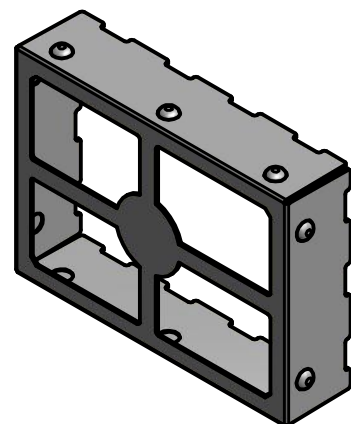
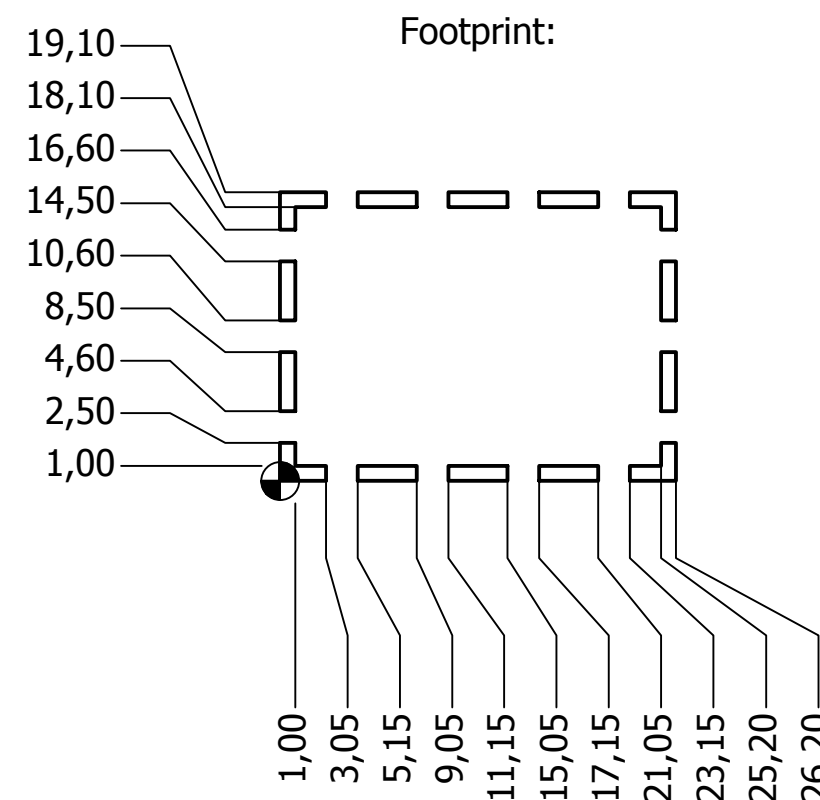
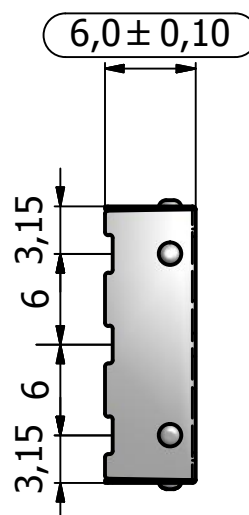
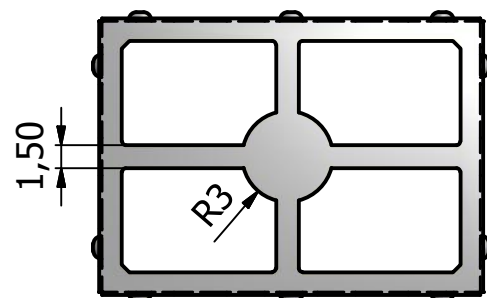
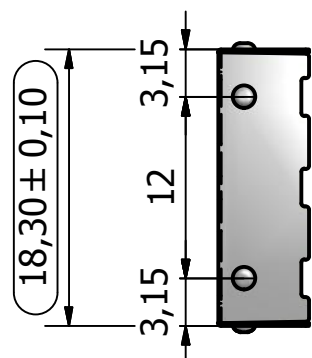
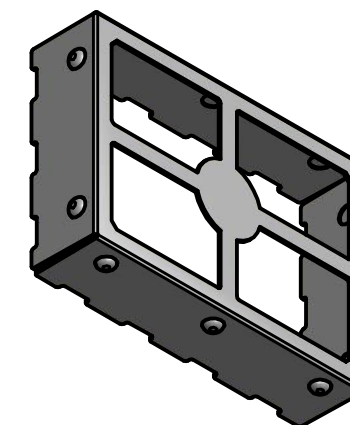
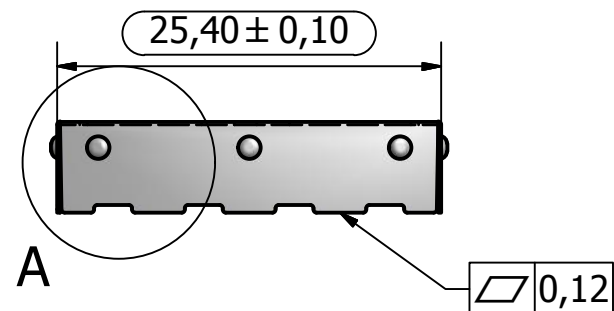
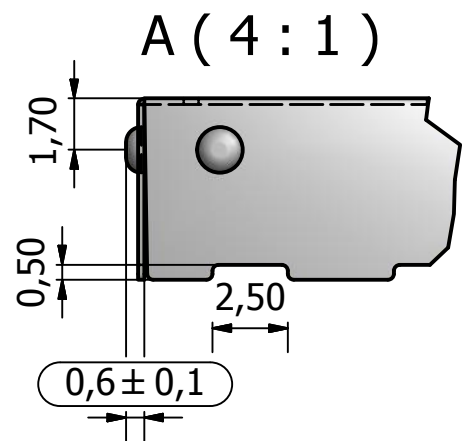
Mekoprint standard series: TWO PIECES. Assembly number F20-3 & C20-3 / MRP number 1021271A & 1021279A



Copyright and property of Mekoprint A/S. This drawing is solely for the purpose of its intended use and is confidential, and may not be passed on to any 3. party without prior written consent from Mekoprint A/S

DESCRIPTION: EMC SHIELD				mekoprint	
MATERIAL: TIN PLATED STEEL 0,2 MM				CUSTOMER: MEKOPRINT	
SURFACE:				CUSTOMER DWG. NO.: C20-3	
DATE: 10-03-2014	INIT. DESIGNER: HBN	SCALE: 2:1	TOLERANCE: DS/ISO 2768-1M UNLESS OTHERWISE SPECIFIED	MEKOPRINT DWG. NO.: 1021279A	

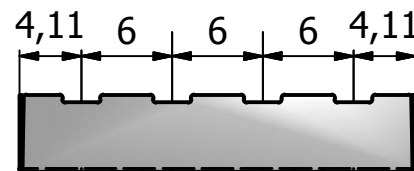
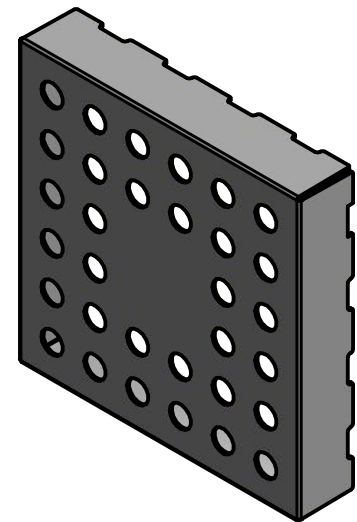
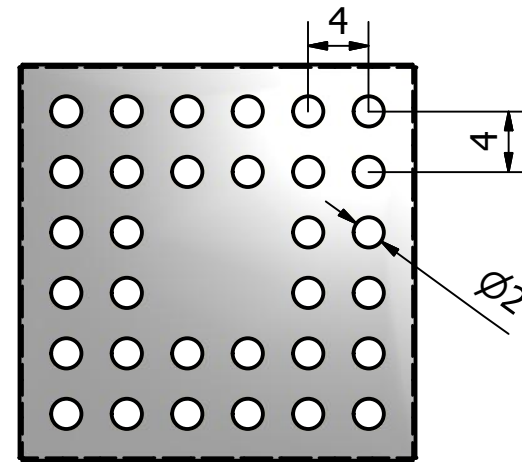
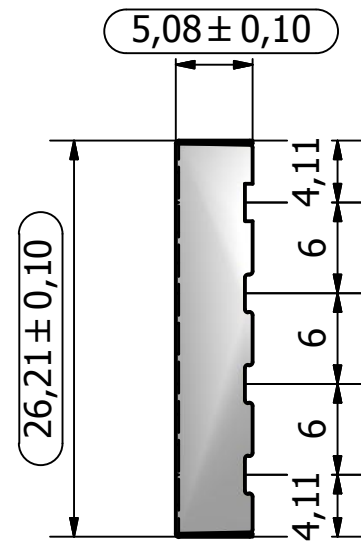
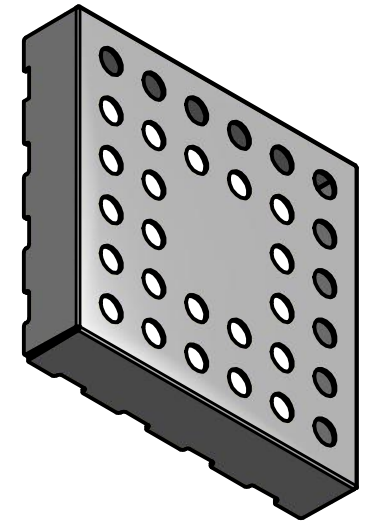
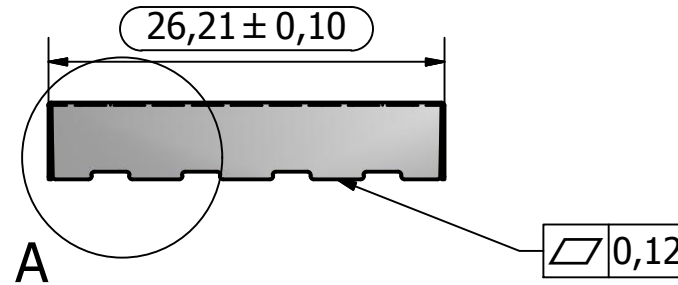
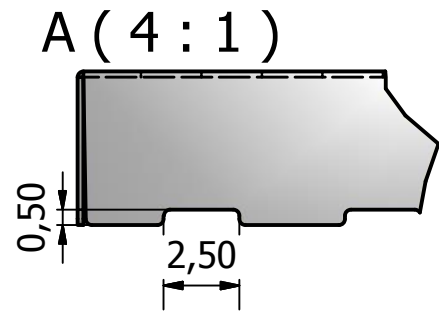
Mekoprint standard series: TWO PIECES. Assembly number F20-3 & C20-3 / MRP number 1021271A & 1021279A



Copyright and property of Mekoprint A/S. This drawing is solely for the purpose of its intended use and is confidential, and may not be passed on to any 3. party without prior written consent from Mekoprint A/S

DESCRIPTION: EMC SHIELD				mekoprint	
MATERIAL: TIN PLATED STEEL 0,2 MM				CUSTOMER: MEKOPRINT	
SURFACE:				CUSTOMER DWG. NO.: F20-3	
DATE: 10-03-2014	INIT. DESIGNER: HBN	SCALE: 2:1	TOLERANCE: DS/ISO 2768-1M UNLESS OTHERWISE SPECIFIED	MEKOPRINT DWG. NO.: 1021271A	

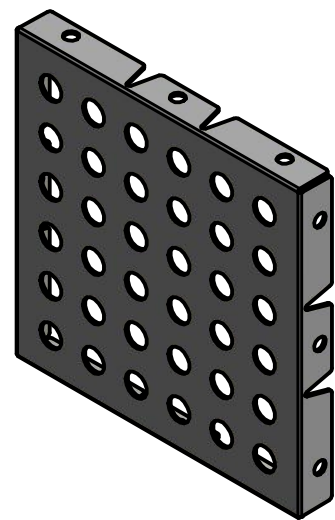
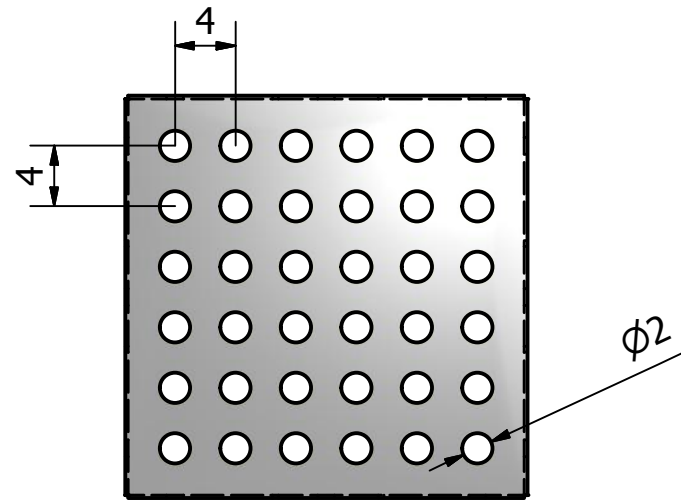
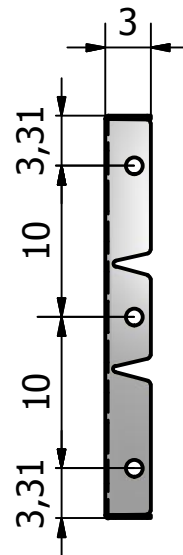
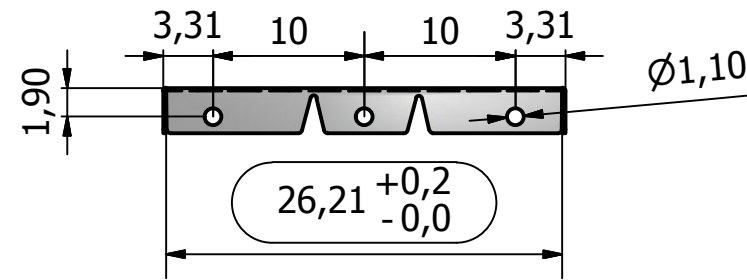
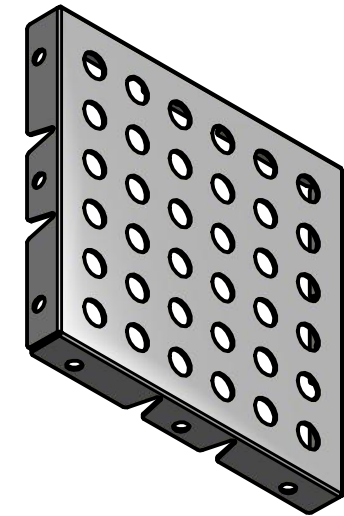
Mekoprint standard series: ONE PIECE. B10-4 / MRP number 1021386A

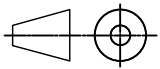



Copyright and property of Mekoprint A/S. This drawing is solely for the purpose of its intended use and is confidential, and may not be passed on to any 3. party without prior written consent from Mekoprint A/S

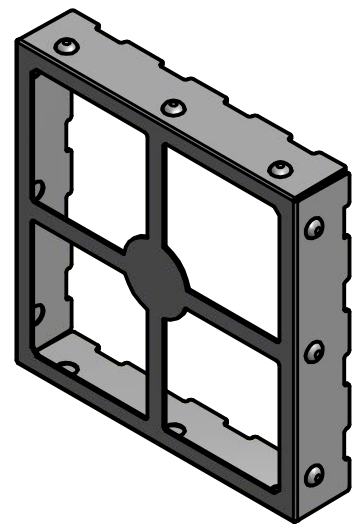
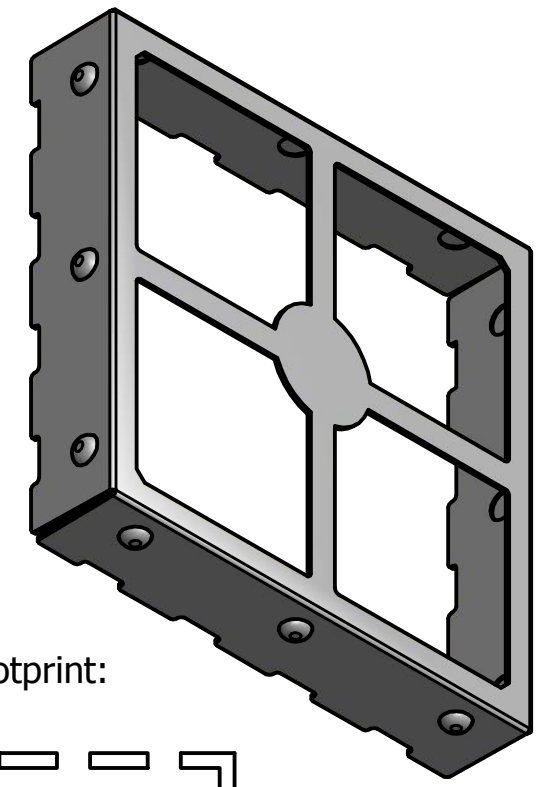
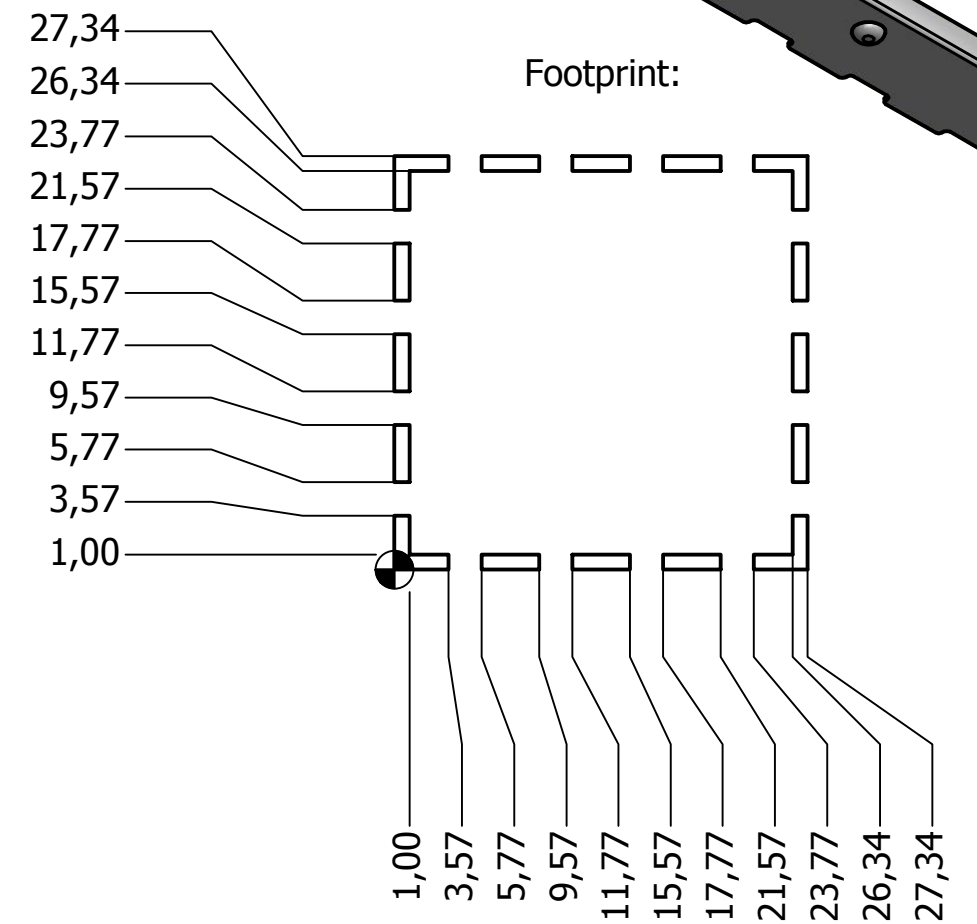
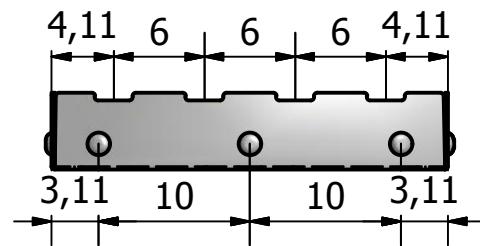
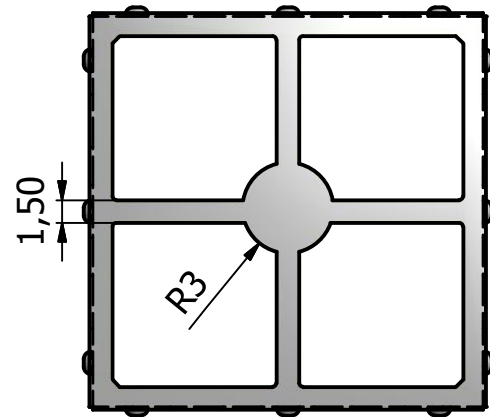
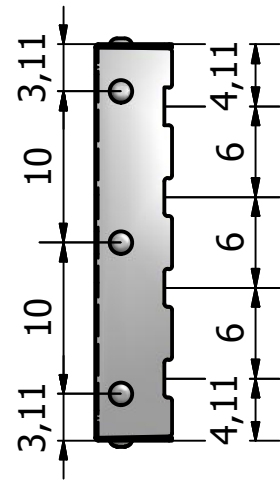
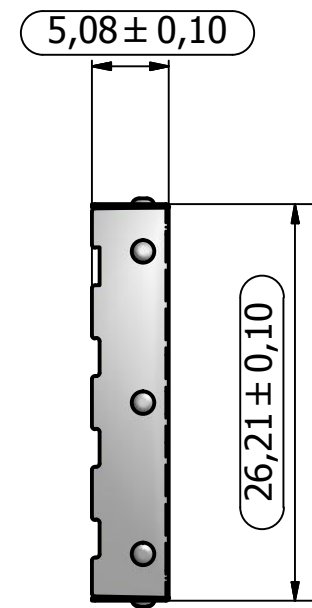
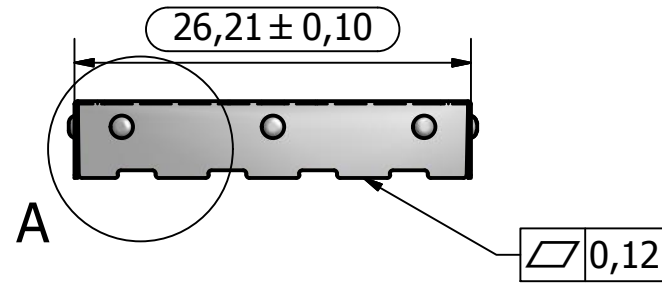
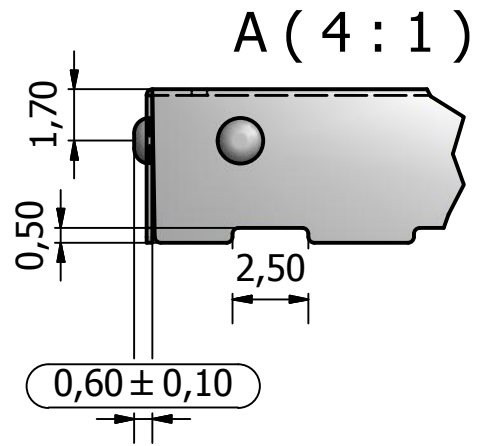
DESCRIPTION: EMC SHIELD				mekoprint
MATERIAL: TIN PLATED STEEL 0,2 MM			CUSTOMER: MEKOPRINT	
SURFACE:			CUSTOMER DWG. NO.: B10-4	
DATE: 11-03-2014	INIT. DESIGNER: HBN	SCALE: 2:1	TOLERANCE: DS/ISO 2768-1M UNLESS OTHERWISE SPECIFIED	MEKOPRINT DWG. NO.: 1021386A

Mekoprint standard series: TWO PIECES. F20-4 & C20-4 / MRP number 1021397A & 1021404A



DESCRIPTION: EMC SHIELD					
MATERIAL: TIN PLATED STEEL 0,2 MM					
SURFACE:		CUSTOMER DWG. NO.:		C20-1	
DATE: 11-03-2014	INIT. DESIGNER: HBN	SCALE: 2:1	TOLERANCE: DS/ISO 2768-1M UNLESS OTHERWISE SPECIFIED	MEKOPRINT DWG. NO.:	
				1021404A	

Mekoprint standard series: TWO PIECES. F20-4 & C20-4 / MRP number 1021397A & 1021404A

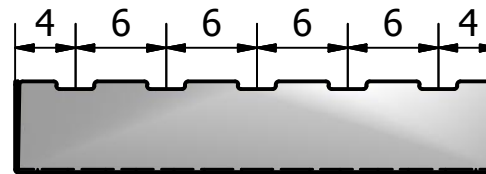
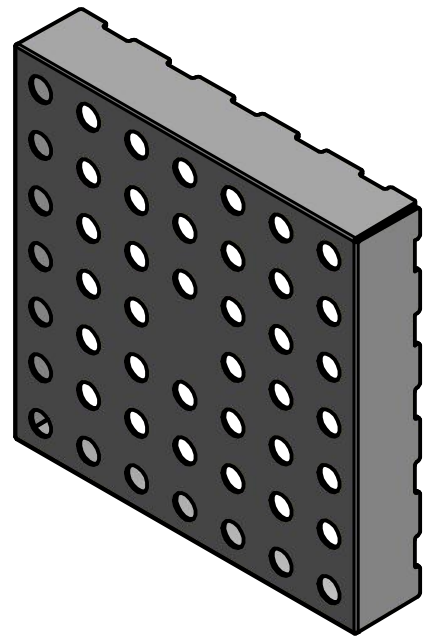
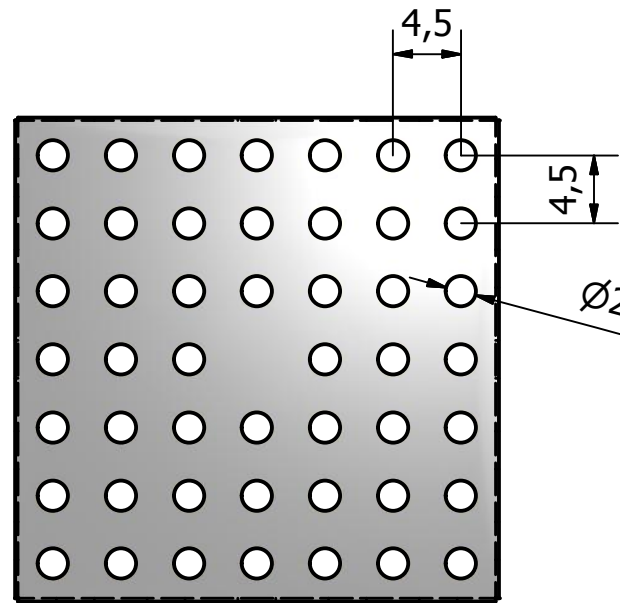
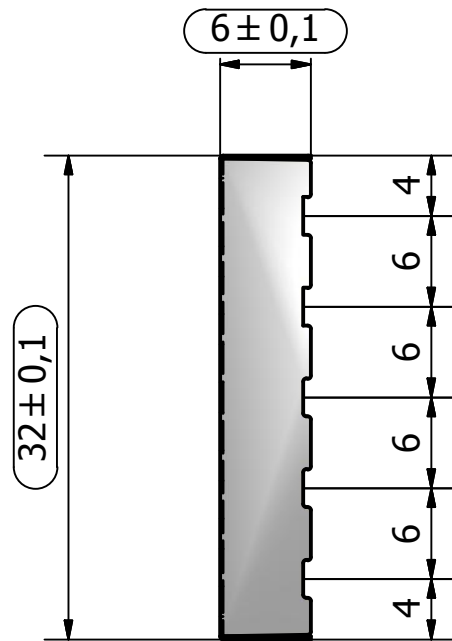
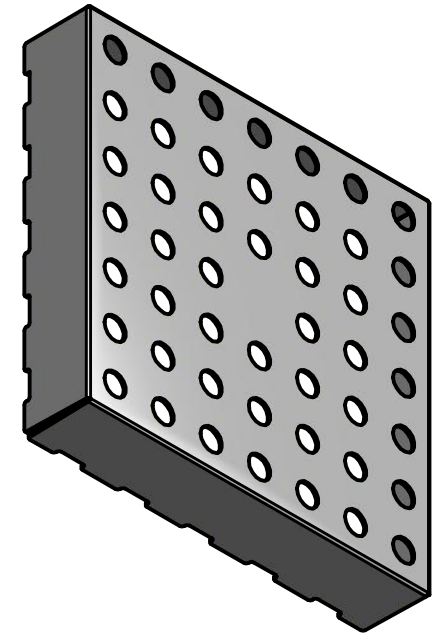
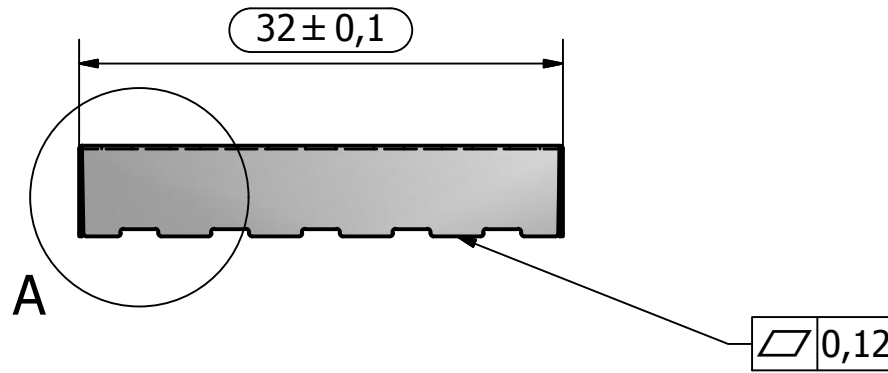
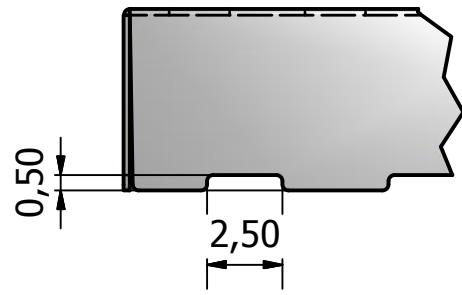


Copyright and property of Mekoprint A/S. This drawing is solely for the purpose of its intended use and is confidential, and may not be passed on to any 3. party without prior written consent from Mekoprint A/S

DESCRIPTION: EMC SHIELD				mekoprint	
MATERIAL: TIN PLATED STEEL 0,2 MM				CUSTOMER: MEKOPRINT	
SURFACE:				CUSTOMER DWG. NO.: F20-4	
DATE: 11-03-2014	INIT. DESIGNER: HBN	SCALE: 2:1	TOLERANCE: DS/ISO 2768-1M UNLESS OTHERWISE SPECIFIED	MEKOPRINT DWG. NO.: 1021397A	

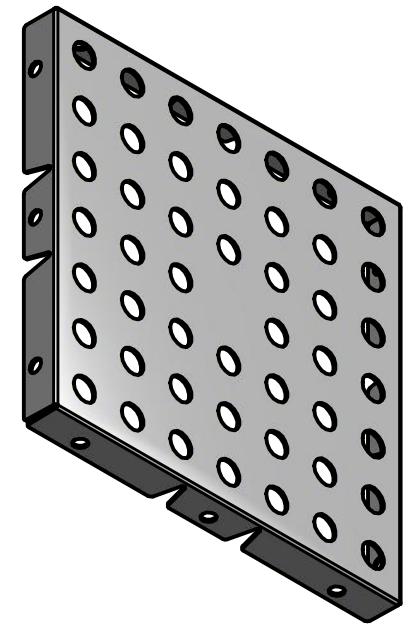
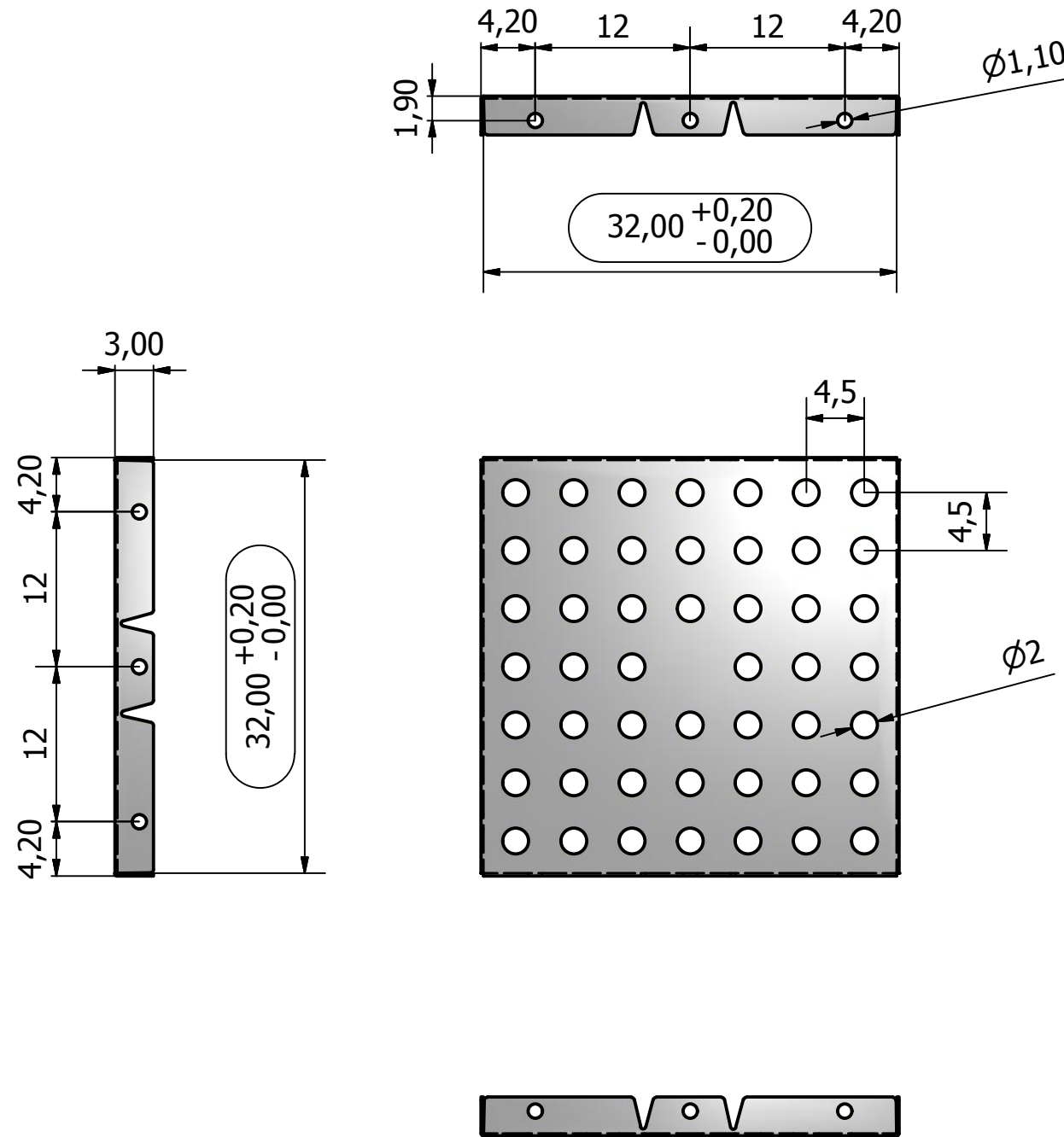
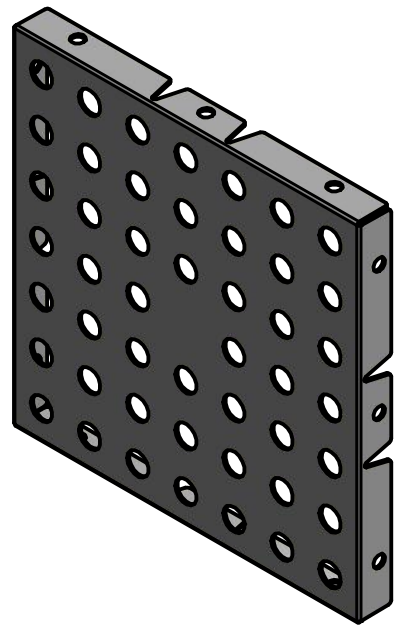
Mekoprint standard series: ONE PIECE. B10-5 / MRP number 1021387A

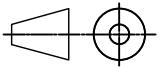
A (4 : 1)



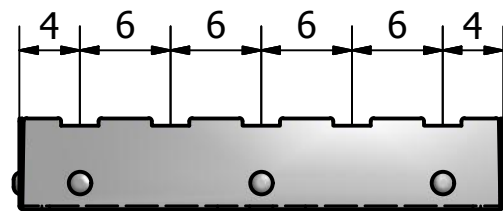
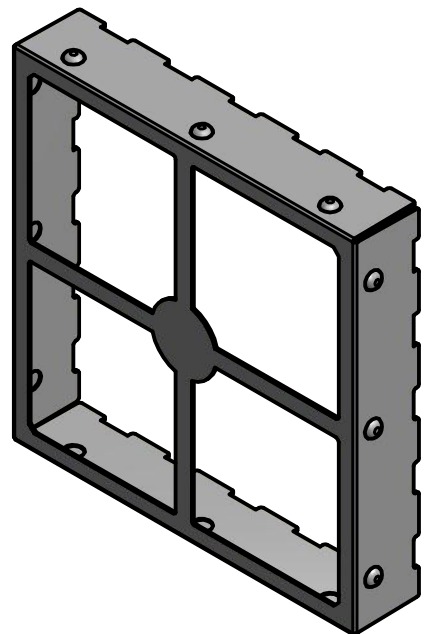
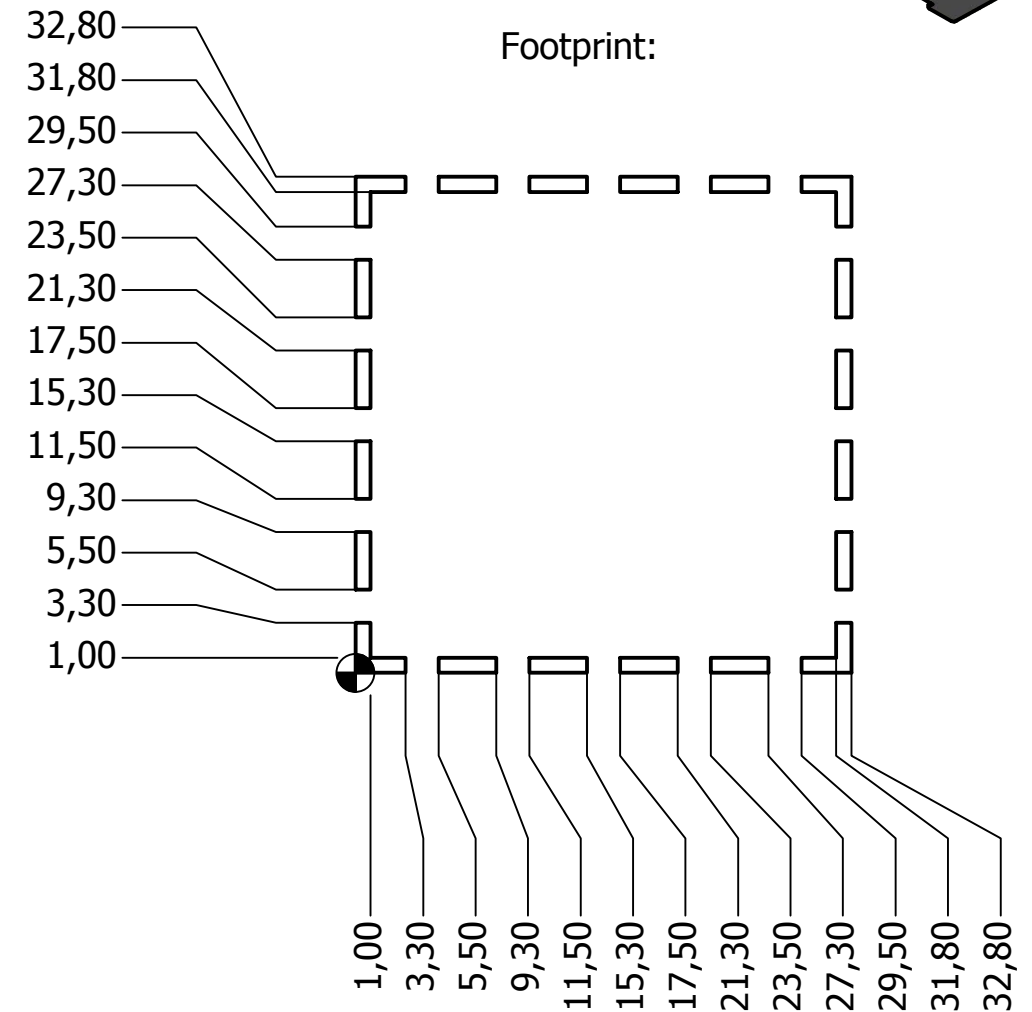
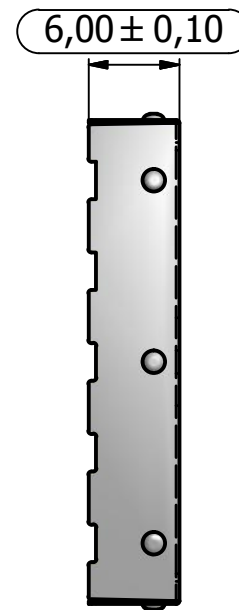
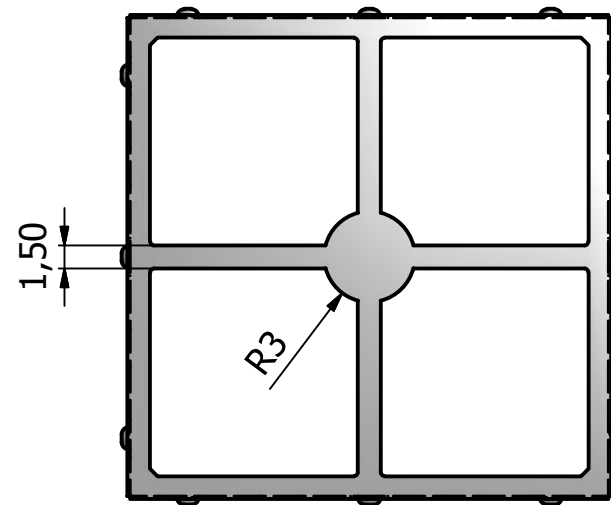
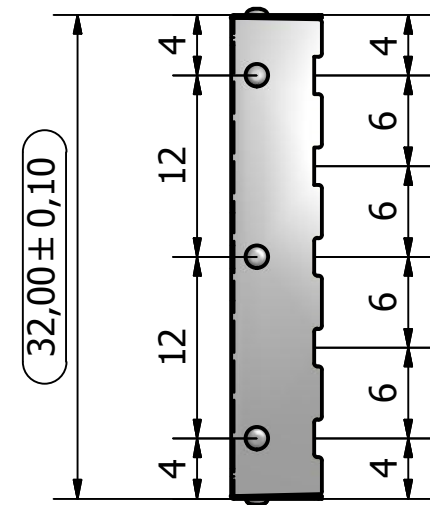
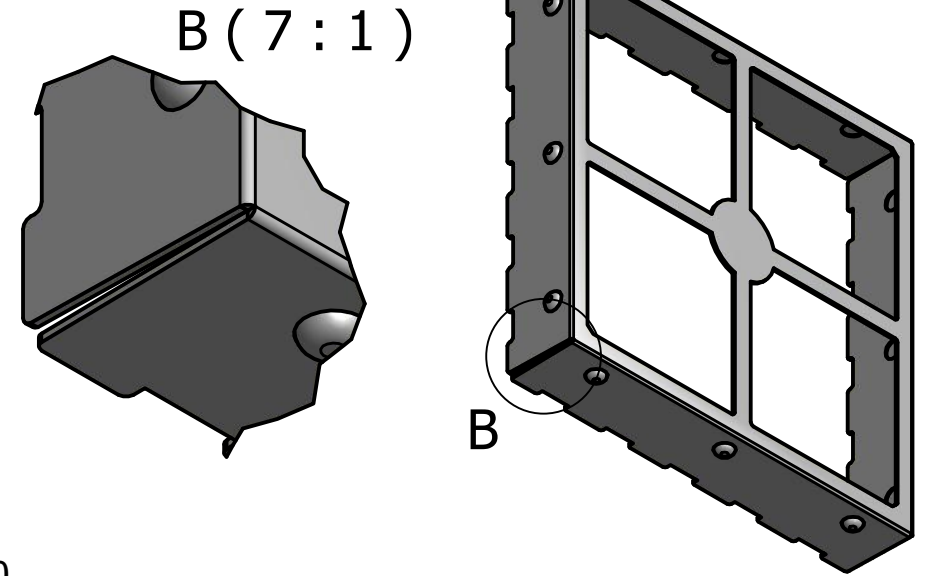
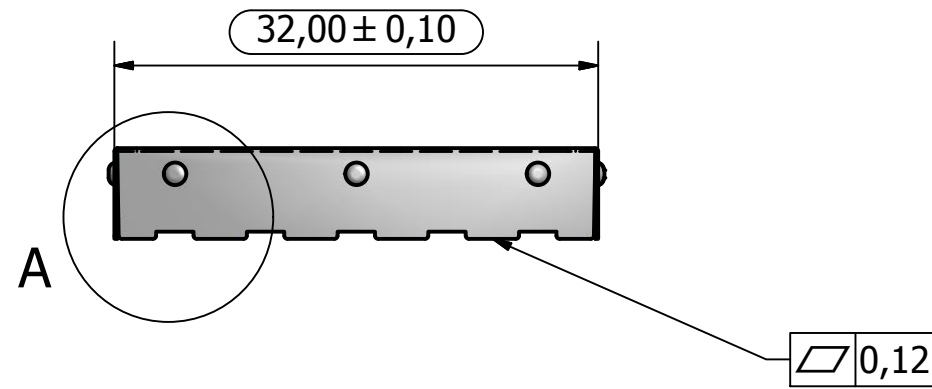
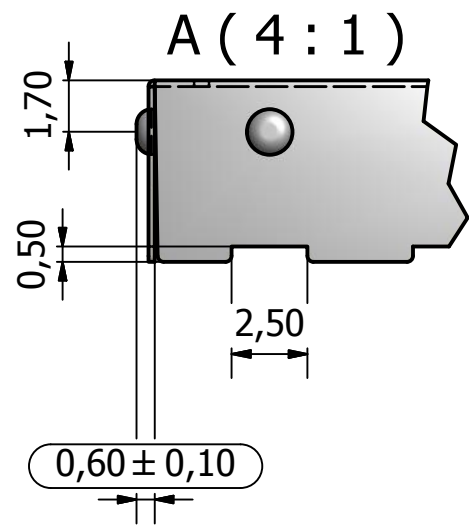
DESCRIPTION: EMC SHIELD				mekoprint	
MATERIAL: TIN PLATED STEEL 0,2 MM				CUSTOMER: MEKOPRINT	
SURFACE:				CUSTOMER DWG. NO.: B10-5	
DATE: 11-03-2014	INIT. DESIGNER: HBN	SCALE: 2:1	TOLERANCE: DS/ISO 2768-1M UNLESS OTHERWISE SPECIFIED	MEKOPRINT DWG. NO.: 1021387A	

Mekoprint standard series: TWO PIECES. F20-5 & C20-5 / MRP number 1021398A & 1021405A



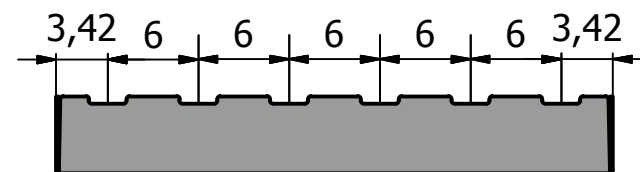
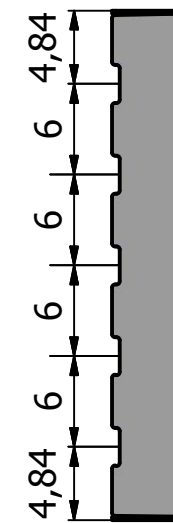
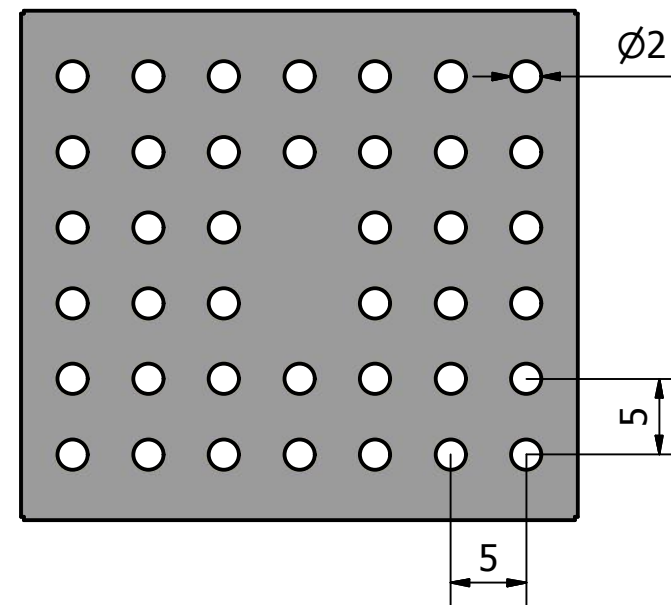
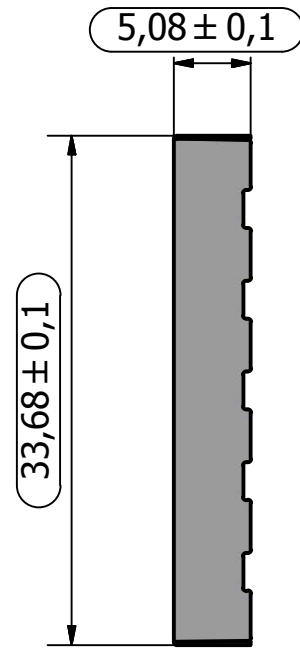
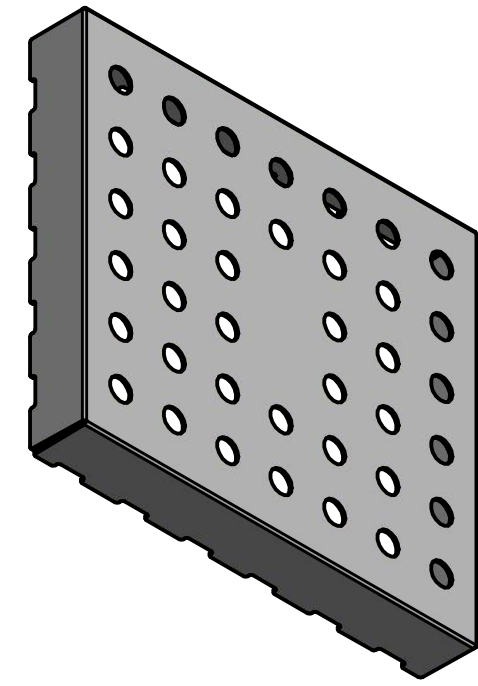
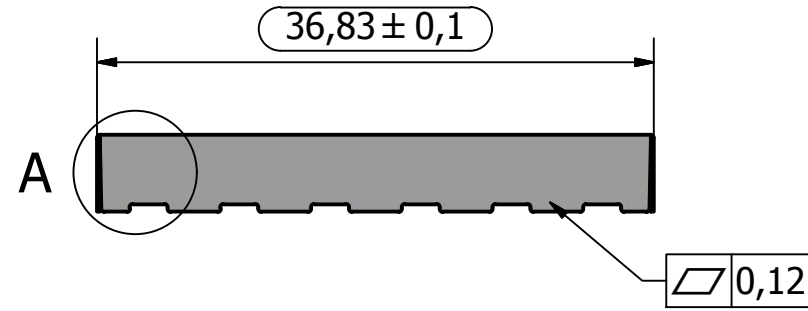
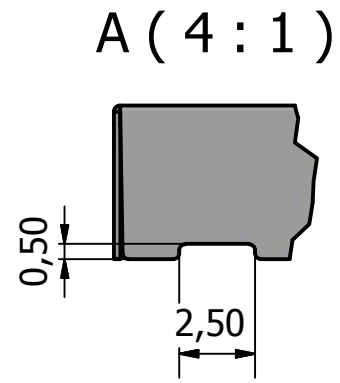
DESCRIPTION: EMC SHIELD				mekoprint	
MATERIAL: TIN PLATED STEEL 0,2 MM				CUSTOMER: MEKOPRINT	
SURFACE:				CUSTOMER DWG. NO.: C20-5	
DATE: 12-03-2014	INIT. DESIGNER: HBN	SCALE: 2:1	TOLERANCE: DS/ISO 2768-1M UNLESS OTHERWISE SPECIFIED	MEKOPRINT DWG. NO.: 1021405A	

Mekoprint standard serie: TWO PIECES. F20-5 & C20-5 / MRP number 1021398A & 1021405A



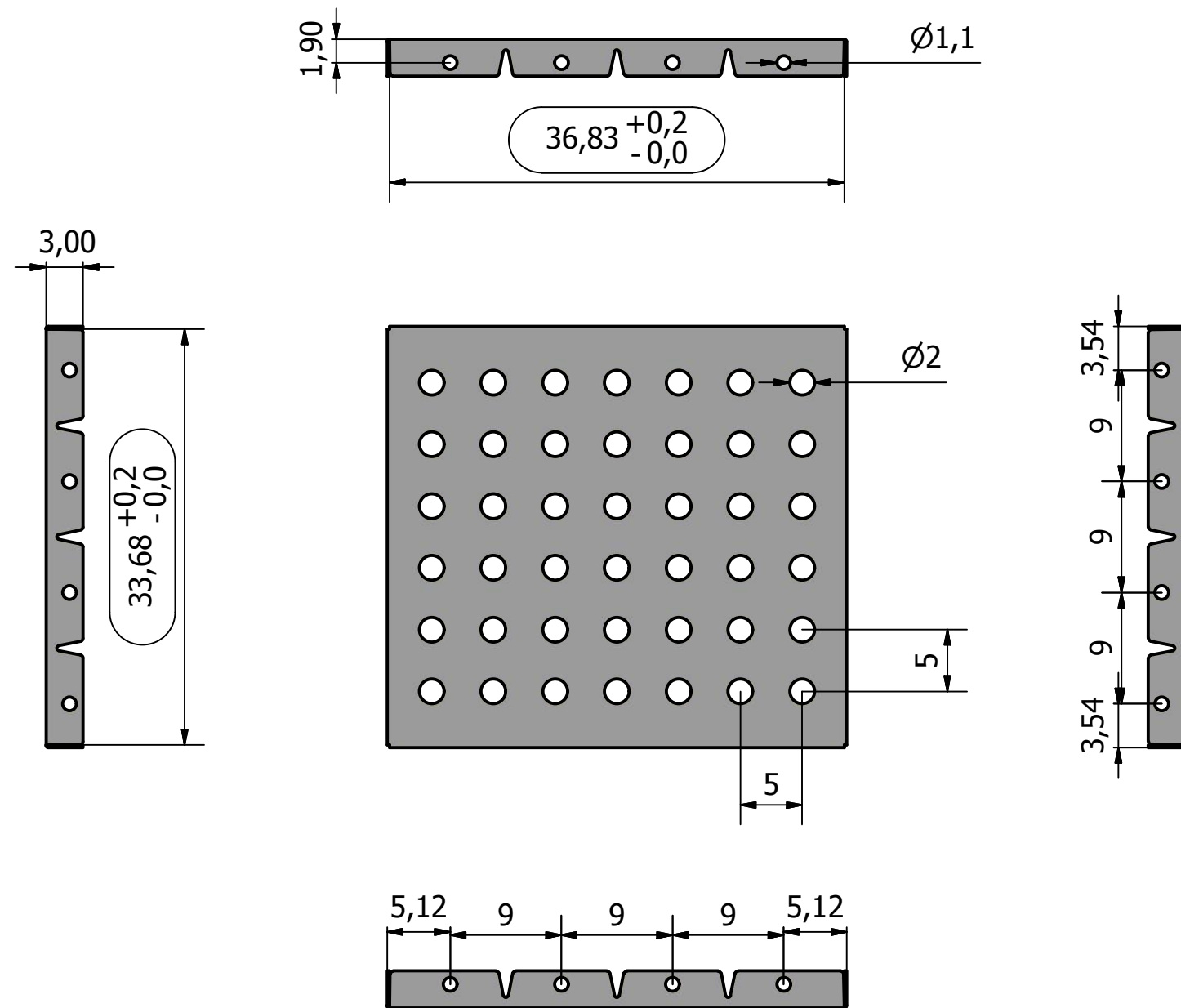
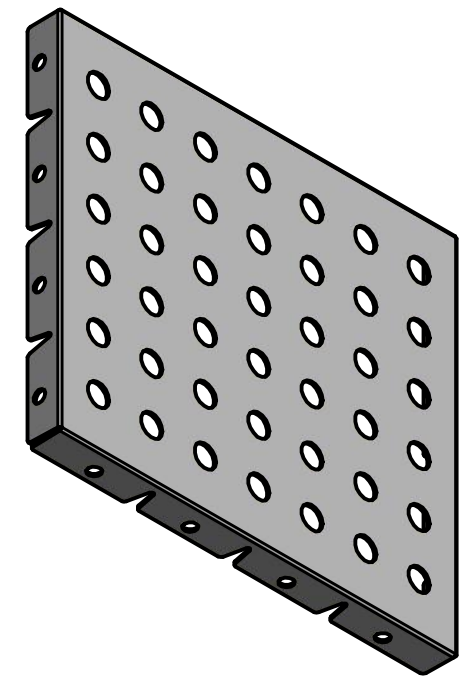
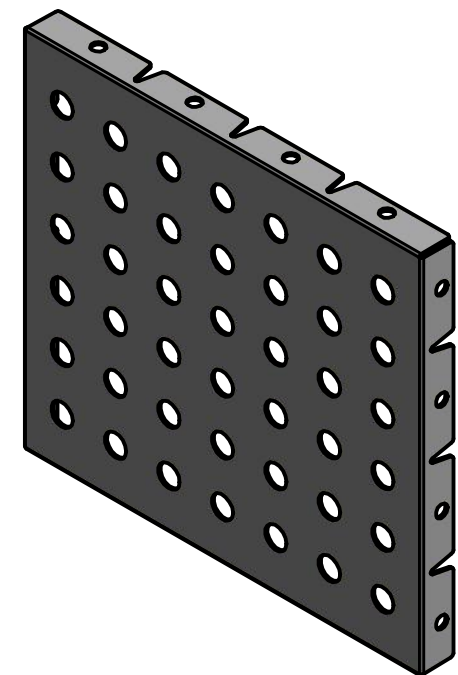
DESCRIPTION: EMC SHIELD			
MATERIAL: TIN PLATED STEEL 0,2 MM		CUSTOMER: MEKOPRINT	
SURFACE:		CUSTOMER DWG. NO.: F20-5	
DATE: 11-03-2014	INIT. DESIGNER: HBN	SCALE: 2:1	TOLERANCE: DS/ISO 2768-1M UNLESS OTHERWISE SPECIFIED
		MEKOPRINT DWG. NO.: 1021398A	

Mekoprint standard series: ONE PIECE. B10-6 / MRP number 1021388A



DESCRIPTION: EMC SHIELD					mekoprint	
MATERIAL: TIN PLATED STEEL 0,2 MM				CUSTOMER: MEKOPRINT		
SURFACE:			MUST BE IN ACCORDANCE WITH DIRECTIVE 2002/95/EC(RoHS)		CUSTOMER DWG. NO.: B10-6	
DATE: 13-03-2014	INIT. DESIGNER: AMD	SCALE: 2:1	TOLERANCE: DS/ISO 2768-1M UNLESS OTHERWISE SPECIFIED		MEKOPRINT DWG. NO.: 1021388A	

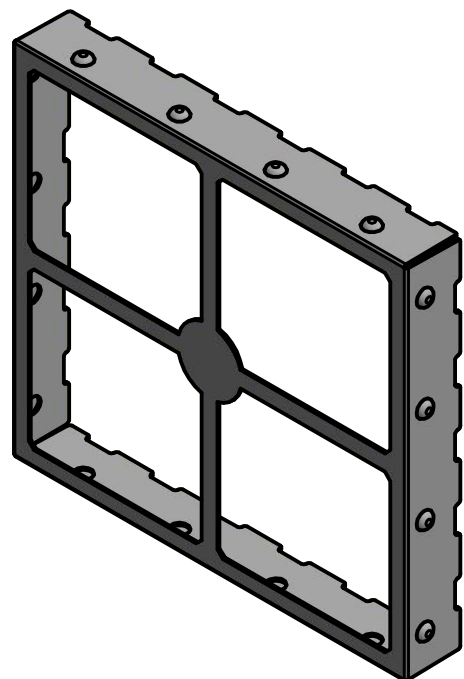
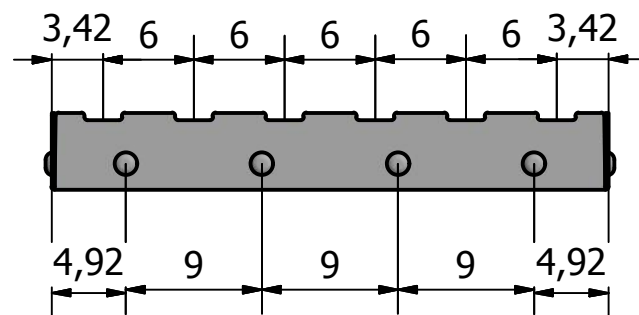
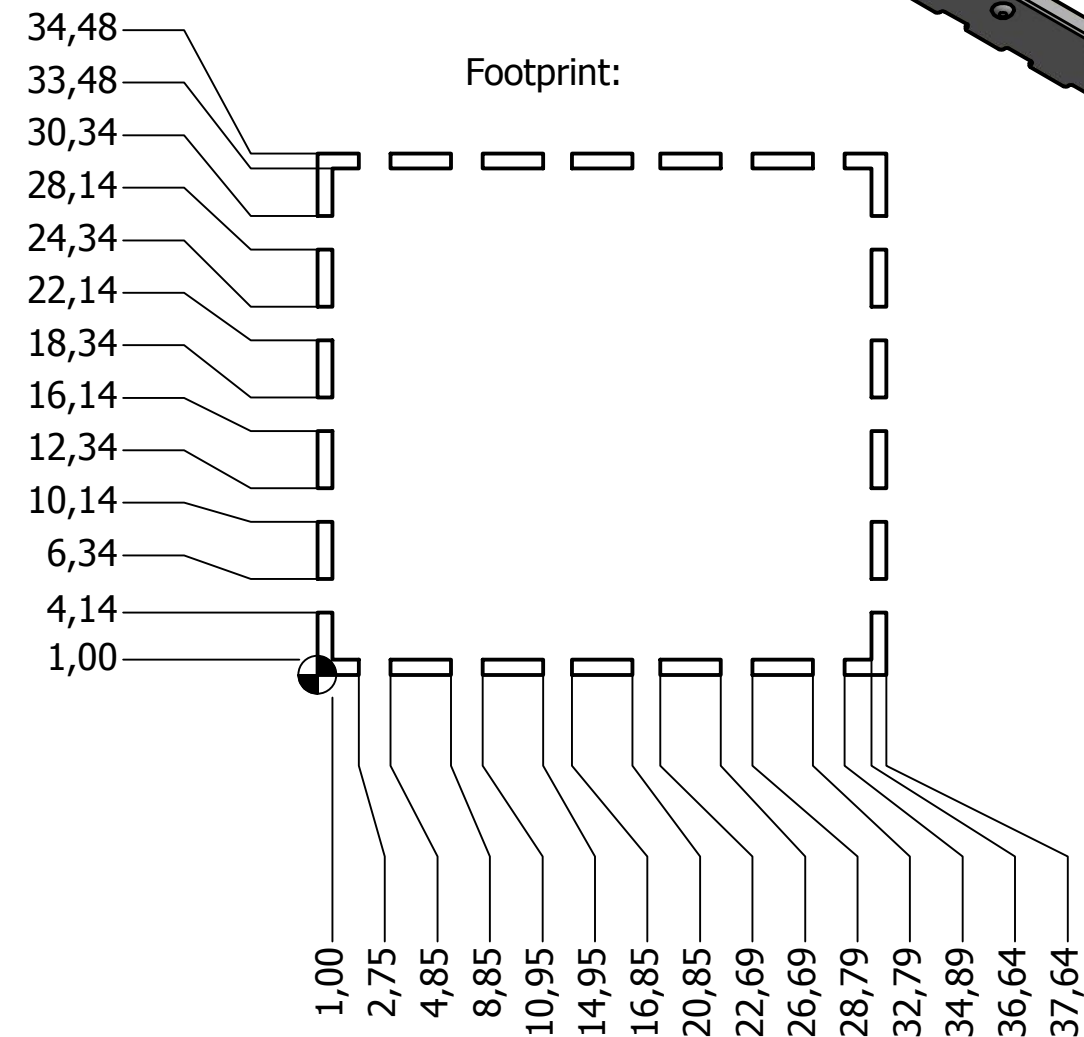
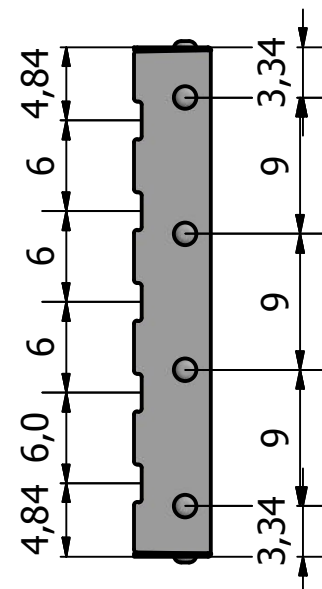
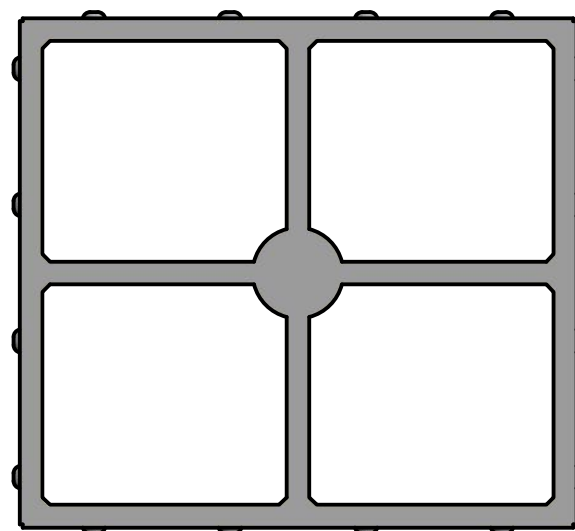
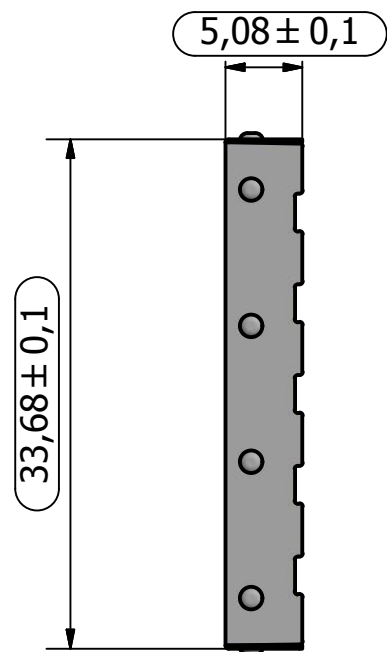
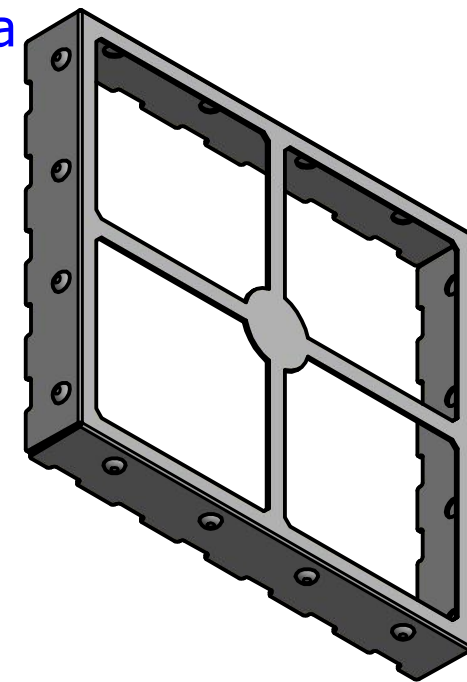
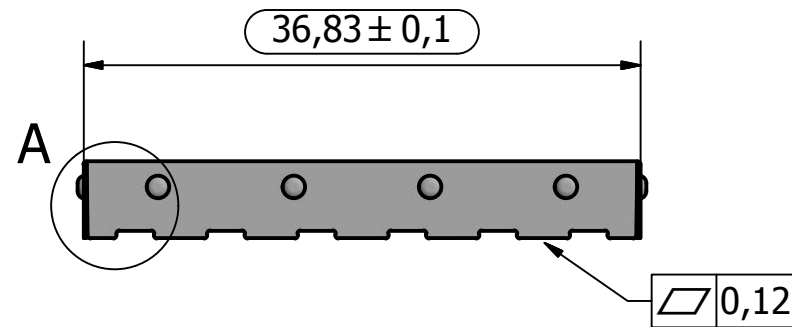
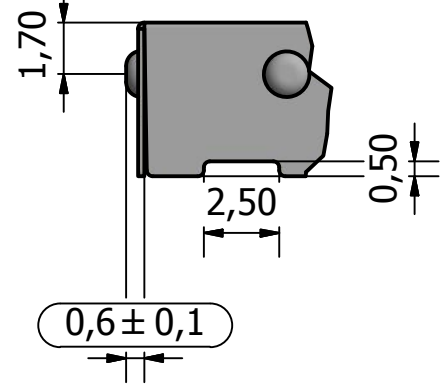
Mekoprint standard series: TWO PIECES. F20-6 & C20-6 / MRP number 1021399A & 1021406a



DESCRIPTION: EMC SHIELD					mekoprint	
MATERIAL: TIN PLATED STEEL 0,2 MM			CUSTOMER: MEKOPRINT		CUSTOMER DWG. NO.: C20-6	
SURFACE:			MUST BE IN ACCORDANCE WITH DIRECTIVE 2002/95/EC(RoHS)		MEKOPRINT DWG. NO.: 1021406A	
DATE: 13-03-2014	INIT. DESIGNER: AMD	SCALE: 2:1	TOLERANCE: DS/ISO 2768-1M UNLESS OTHERWISE SPECIFIED			

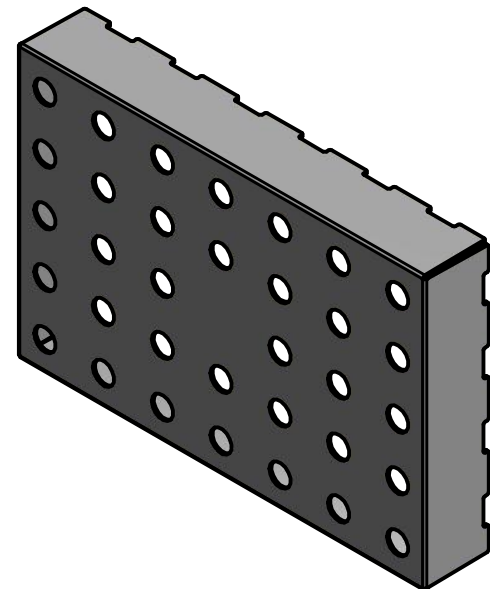
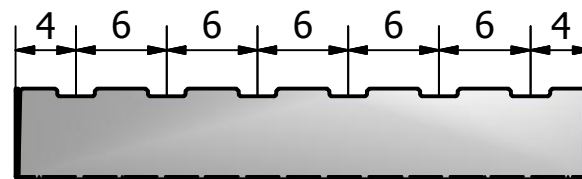
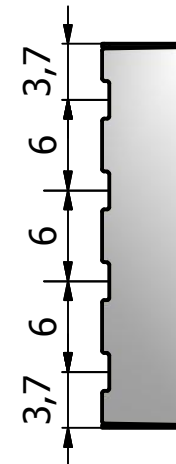
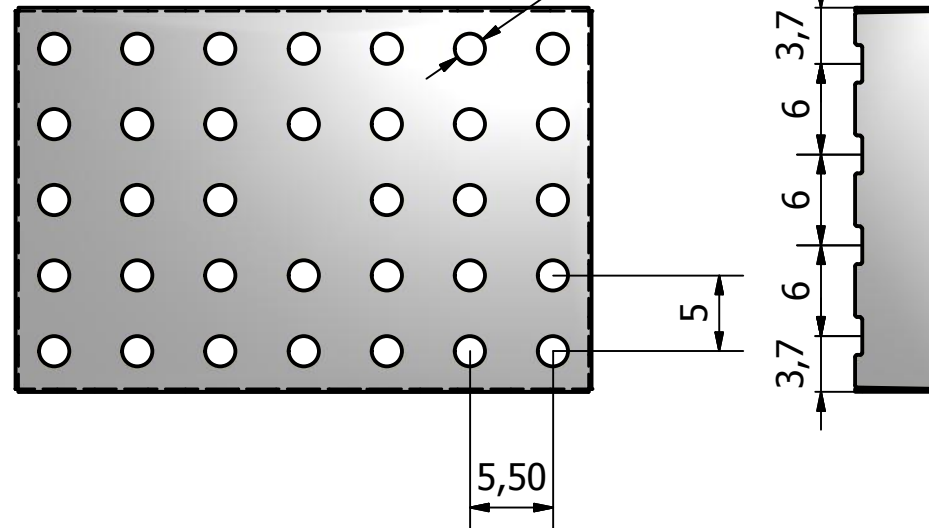
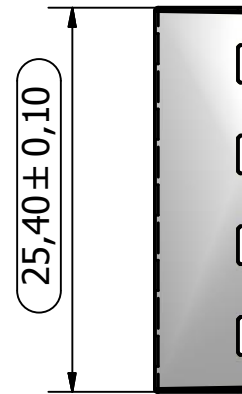
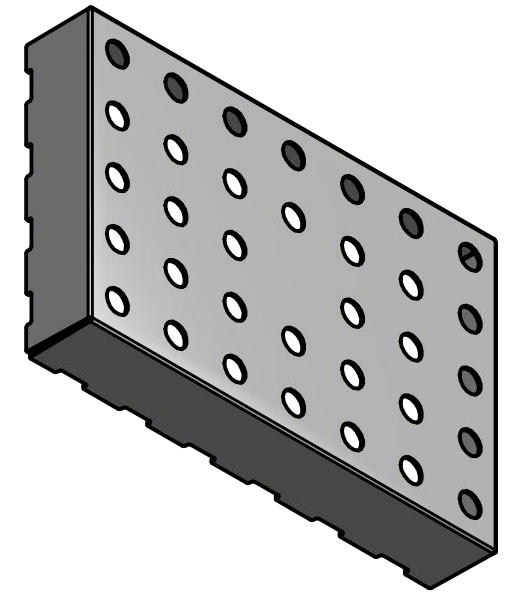
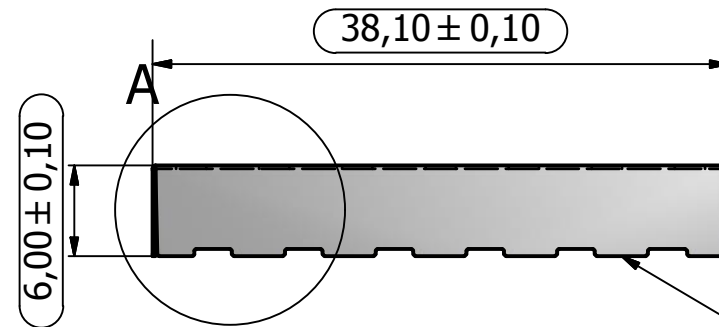
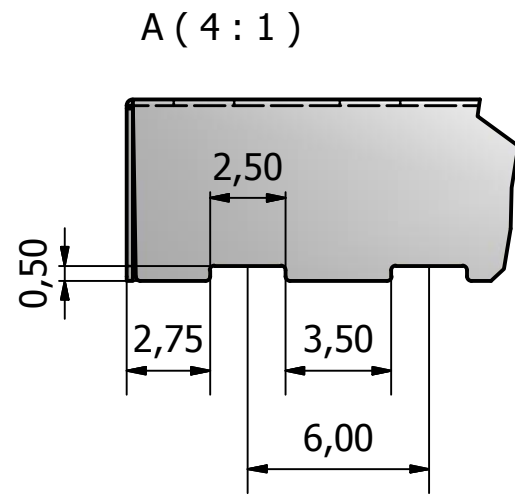
Mekoprint standard series: TWO PIECES. F20-6 & C20-6 / MRP number 1021399A & 1021406a

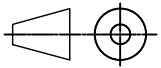
A (4 : 1)



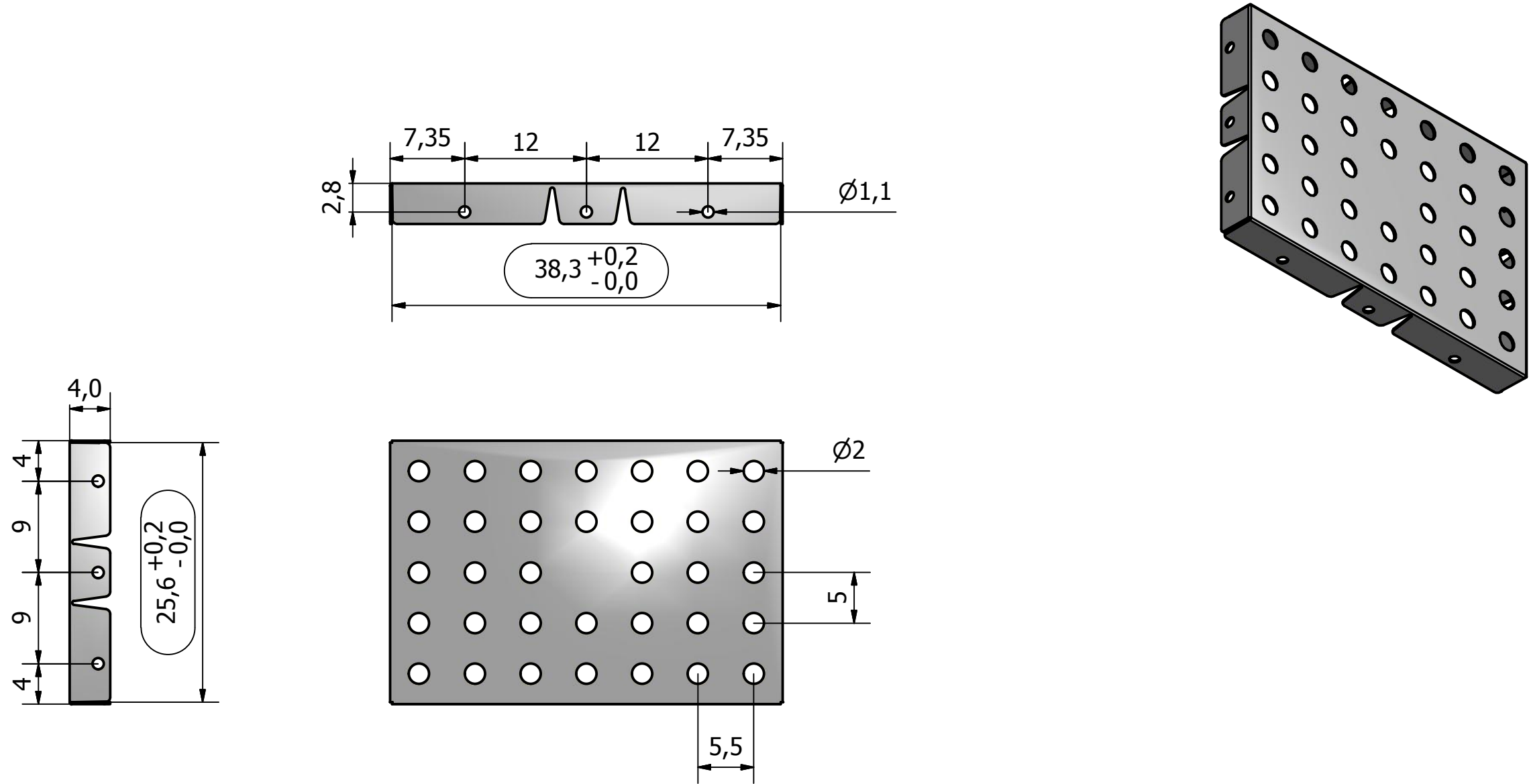
DESCRIPTION: EMC SHIELD					mekoprint	
MATERIAL: TIN PLATED STEEL 0,2 MM					CUSTOMER: MEKOPRINT	
SURFACE:			MUST BE IN ACCORDANCE WITH DIRECTIVE 2002/95/EC(RoHS)		CUSTOMER DWG. NO.: F20-6	
DATE: 13-03-2014	INIT. DESIGNER: AMD	SCALE: 2:1	TOLERANCE: DS/ISO 2768-1M UNLESS OTHERWISE SPECIFIED		MEKOPRINT DWG. NO.: 1021399A	

Mekoprint standard series: ONE PIECE. B10-7 / MRP number 1021293A

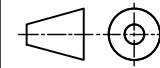


DESCRIPTION: EMC SHIELD		 mekoprint	
MATERIAL: EN 10202/01 (TIN PLATED STEEL) 0,20 MM		CUSTOMER: MEKOPRINT	
SURFACE:		CUSTOMER DWG. NO.: B10-7	
DATE: 23-01-2014	INIT. DESIGNER: HBN	SCALE: 2:1	TOLERANCE: DS/ISO 2768-1M UNLESS OTHERWISE SPECIFIED
		MEKOPRINT DWG. NO.: 1021293A	

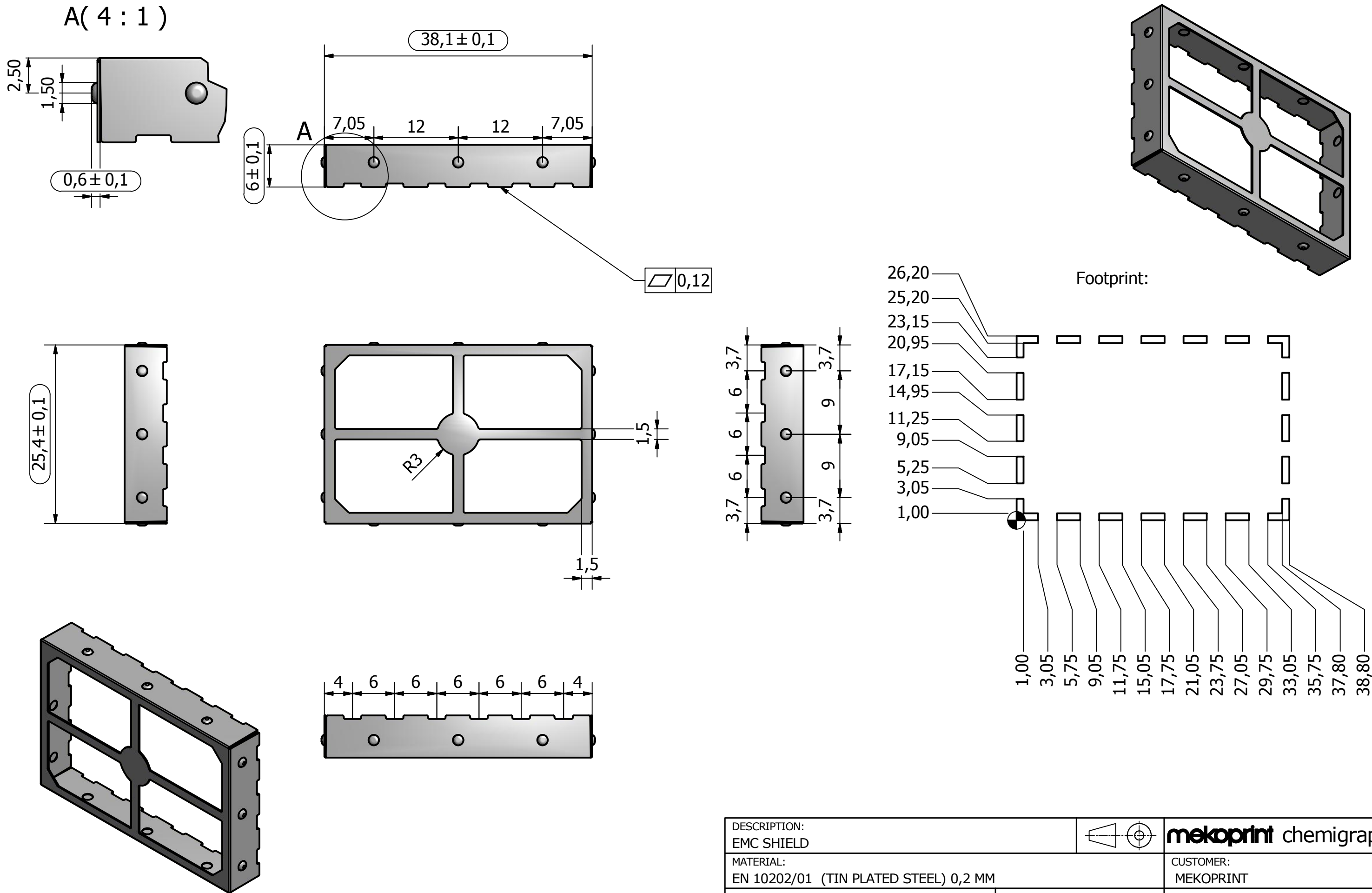
Mekoprint standard series: TWO PIECES. F20-7 & C20-7 / MRP number 1019551A & 1019552A



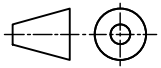
REVISION HISTORY		
REV	DESCRIPTION	DATE
1	Hole changed from Ø1,5 to Ø1,1	31-03-2011

DESCRIPTION: EMC SHIELD LID			 mekoprint chemigraphics	
MATERIAL: EN 10202/01 (TIN PLATED STEEL) 0,2 MM			CUSTOMER: MEKOPRINT	
SURFACE:		MUST BE IN ACCORDANCE WITH DIRECTIVE 2002/95/EC (RoHS)	CUSTOMER DWG. NO.: C20-7	
CREATION DATE: 24-01-2011	INIT. DESIGNER: AMD	SCALE: 2:1	TOLERANCE: DS/ISO 2768-1M UNLESS OTHERWISE SPECIFIED	MEKOPRINT DWG. NO.: 1019552A

Mekoprint standard series: TWO PIECES. F20-7 & C20-7 / MRP number 1019551A & 1019552A

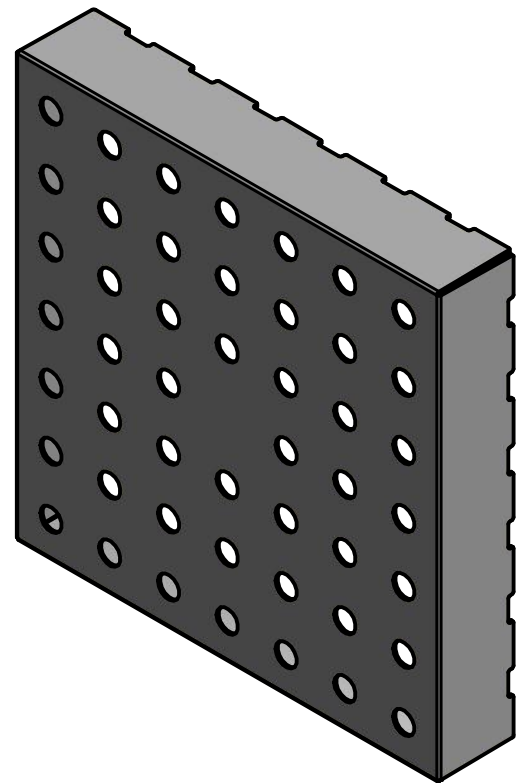
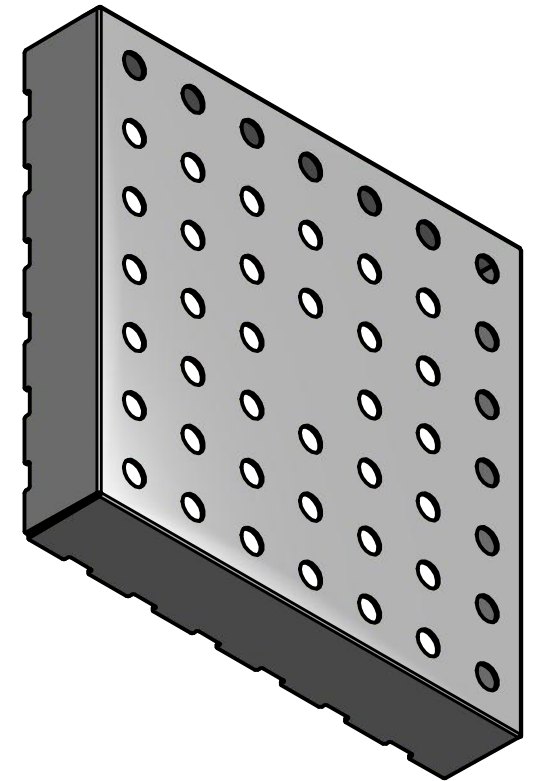
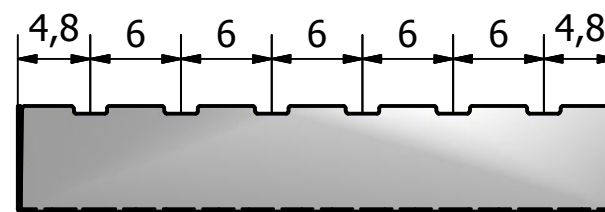
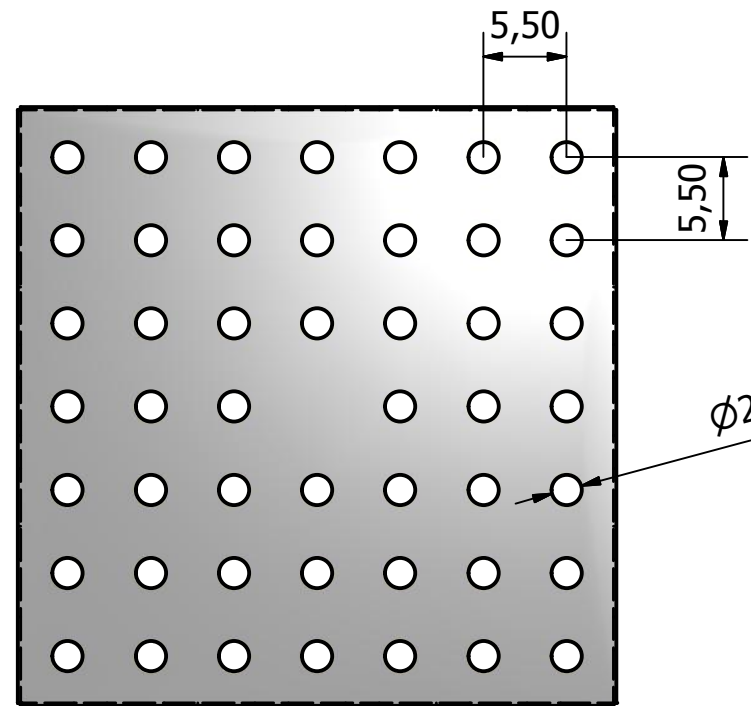
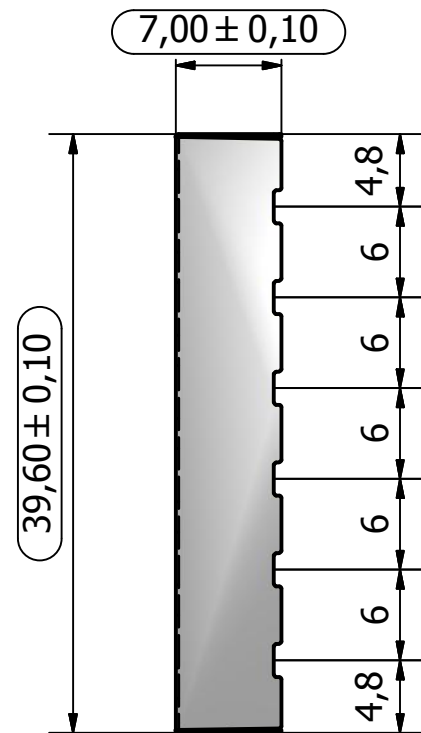
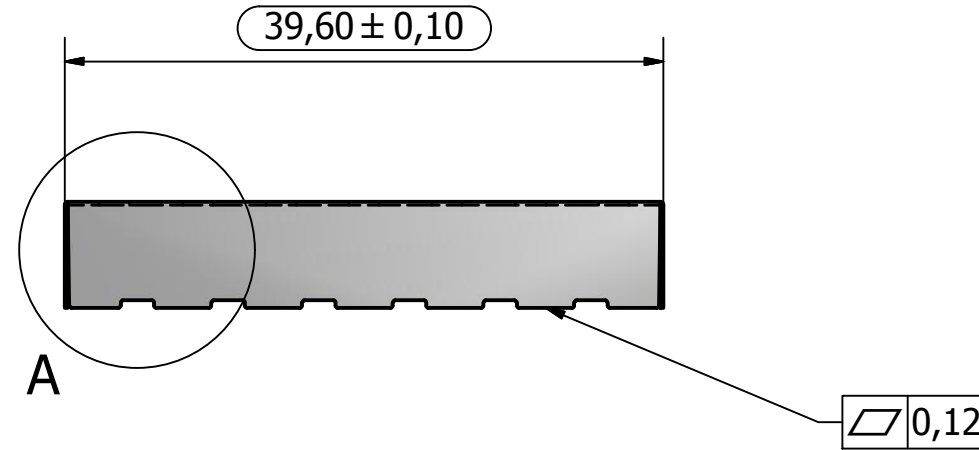
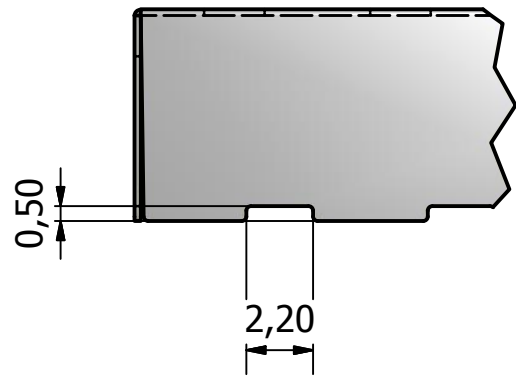


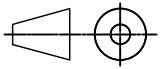

Copyright and property of Mekoprint A/S. This drawing is solely for the purpose of its intended use and is confidential, and may not be passed on to any 3. party without prior written consent from Mekoprint A/S

DESCRIPTION: EMC SHIELD			 mekoprint chemigraphics	
MATERIAL: EN 10202/01 (TIN PLATED STEEL) 0,2 MM			CUSTOMER: MEKOPRINT	
SURFACE:		MUST BE IN ACCORDANCE WITH DIRECTIVE 2002/95/EC (RoHS)	CUSTOMER DWG. NO.: F20-7	
CREATION DATE: 21-01-2011	INIT. DESIGNER: AMD	SCALE: 2:1	TOLERANCE: DS/ISO 2768-1F UNLESS OTHERWISE SPECIFIED	MEKOPRINT DWG. NO.: 1019551A

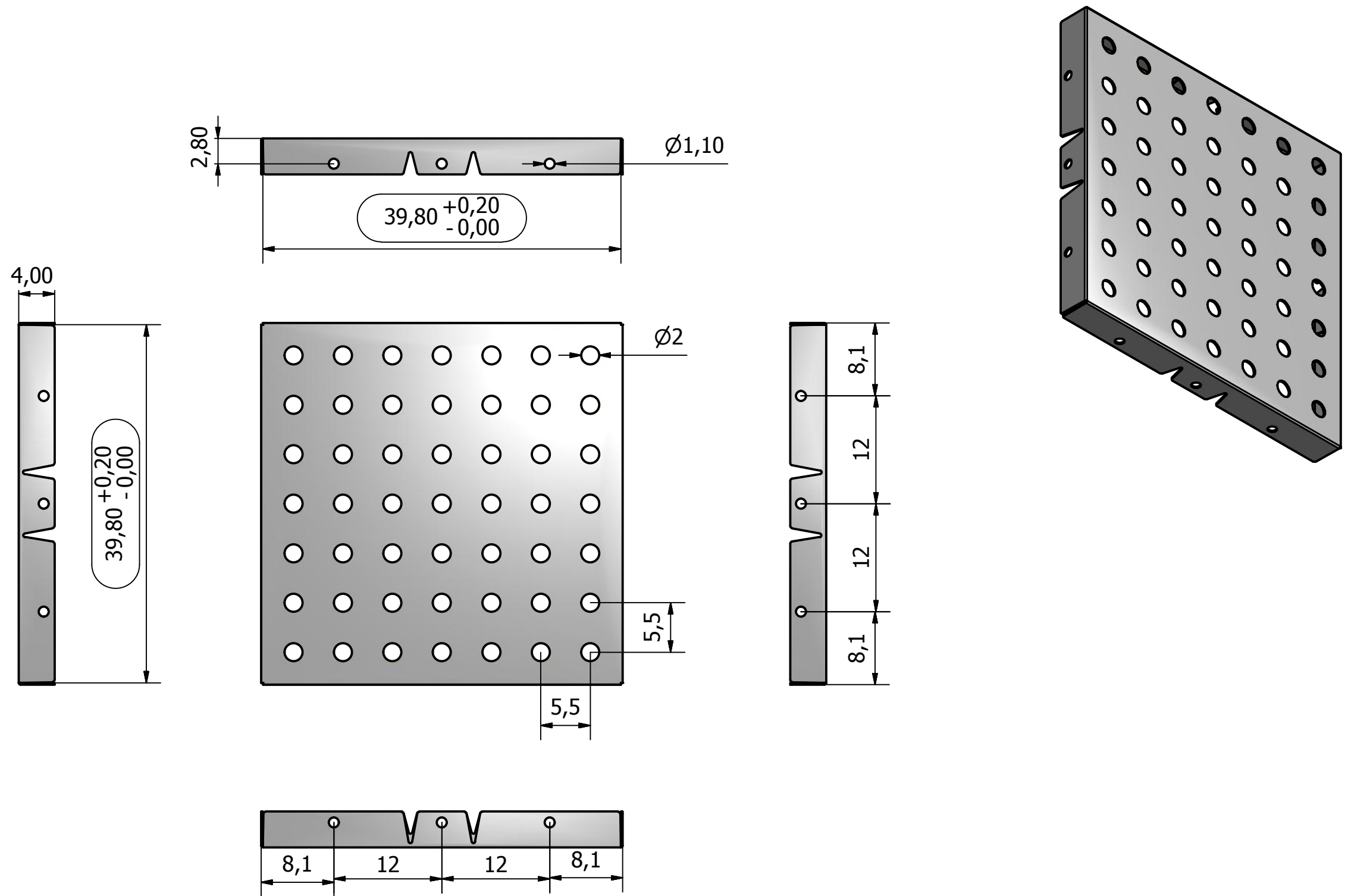
Mekoprint standard series: ONE PIECE. B10-8 / MRP number 1021390A

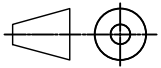
A (4 : 1)



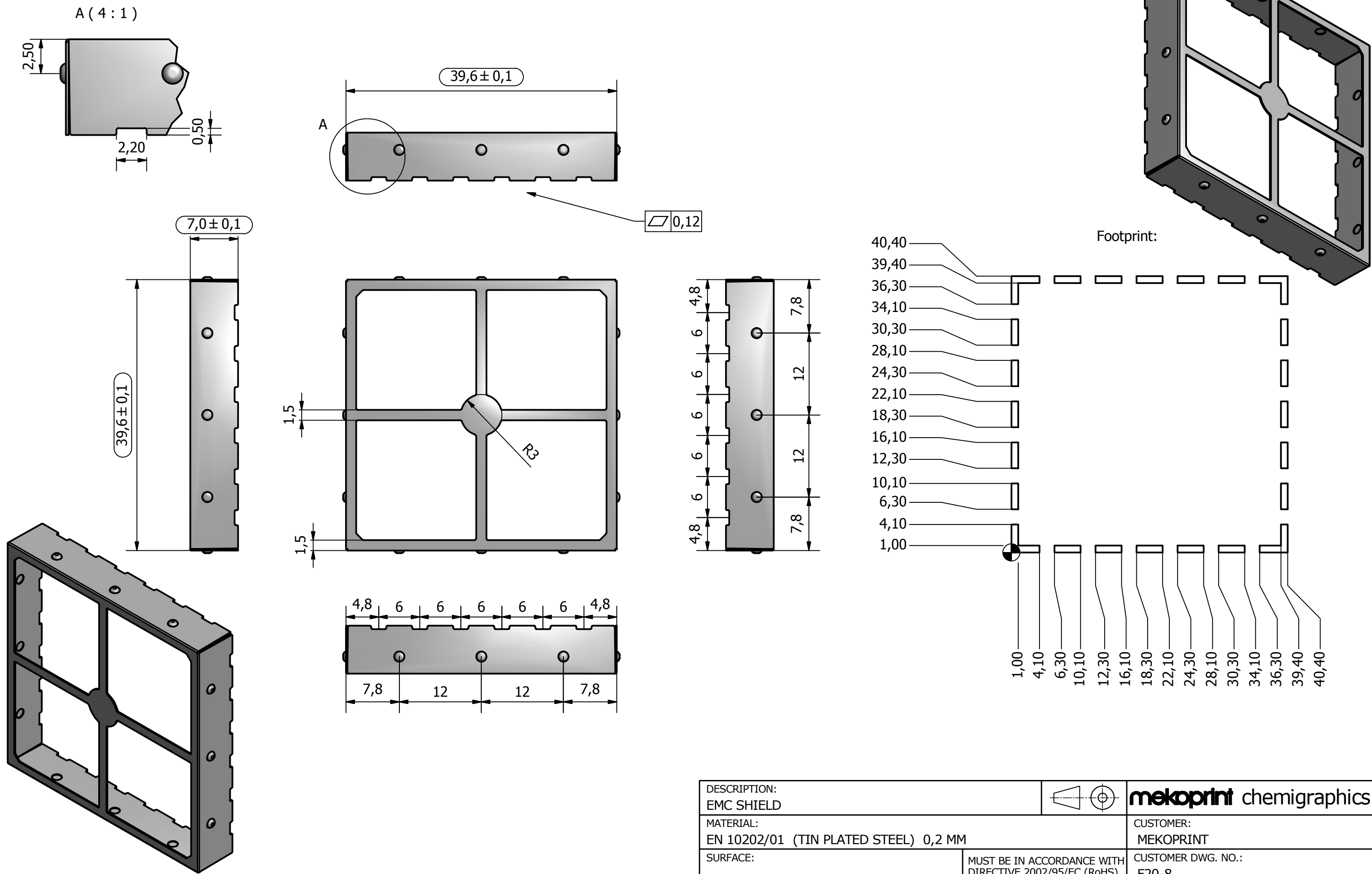
DESCRIPTION: EMC SHIELD					
MATERIAL: TIN PLATED STEEL 0,2 MM					
SURFACE:				CUSTOMER DWG. NO.: B10-8	
DATE: 11-03-2014	INIT. DESIGNER: HBN	SCALE: 2:1	TOLERANCE: DS/ISO 2768-1M UNLESS OTHERWISE SPECIFIED	MEKOPRINT DWG. NO.: 1021390A	

Mekoprint standard series: TWO PIECES. F20-8 & C20-8 / MRP number 1019553A & 1021435A



DESCRIPTION: EMC SHIELD				mekoprint
MATERIAL: TINPLATED STEEL 0,2MM				
SURFACE:			MUST BE IN ACCORDANCE WITH DIRECTIVE 2002/95/EC(RoHS)	CUSTOMER DWG. NO.: C20-8
DATE: 14-03-2014	INIT. DESIGNER: AMD	SCALE: 2:1	TOLERANCE: DS/ISO 2768-1M UNLESS OTHERWISE SPECIFIED	MEKOPRINT DWG. NO.: 1021435A

Mekoprint standard series: TWO PIECES. F20-8 & C20-8 / MRP number 1019553A & 1019554A

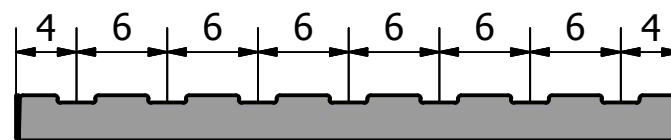
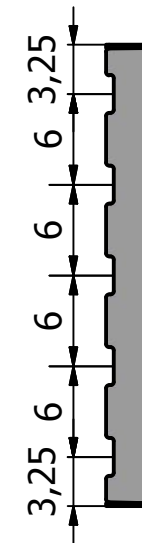
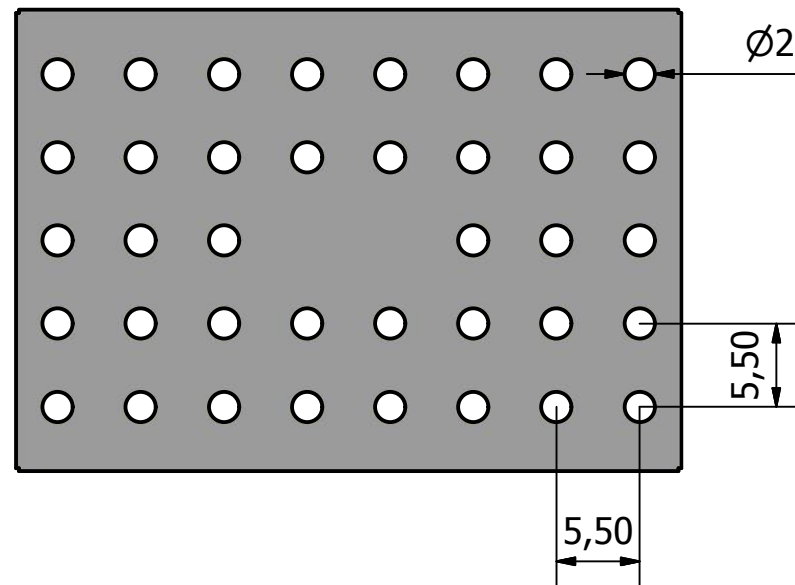
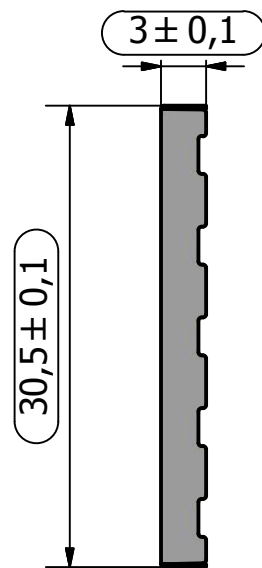
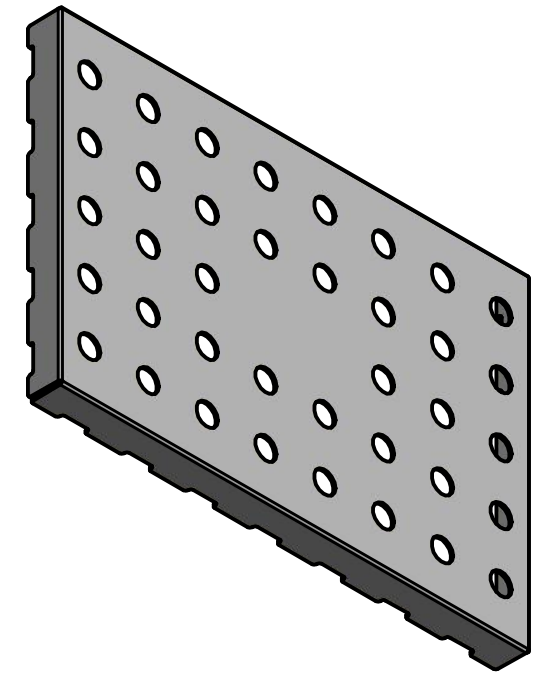
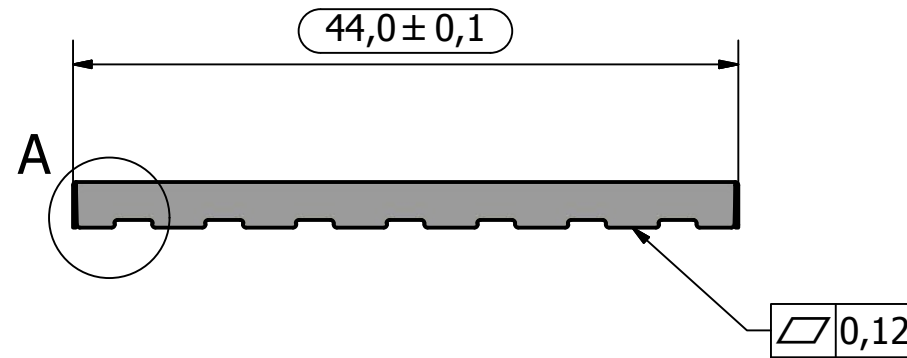
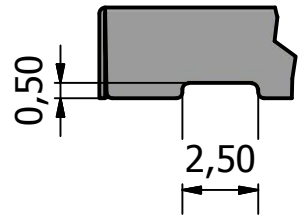


Copyright and property of Mekoprint A/S. This drawing is solely for the purpose of its intended use and is confidential, and may not be passed on to any 3. party without prior written consent from Mekoprint A/S

DESCRIPTION: EMC SHIELD			mekoprint chemigraphics	
MATERIAL: EN 10202/01 (TIN PLATED STEEL) 0,2 MM			CUSTOMER: MEKOPRINT	
SURFACE:		MUST BE IN ACCORDANCE WITH DIRECTIVE 2002/95/EC (RoHS)	CUSTOMER DWG. NO.: F20-8	
CREATION DATE: 21-01-2011	INIT. DESIGNER: AMD	SCALE: 2:1	TOLERANCE: DS/ISO 2768-1M UNLESS OTHERWISE SPECIFIED	
			MEKOPRINT DWG. NO.: 1019553A	

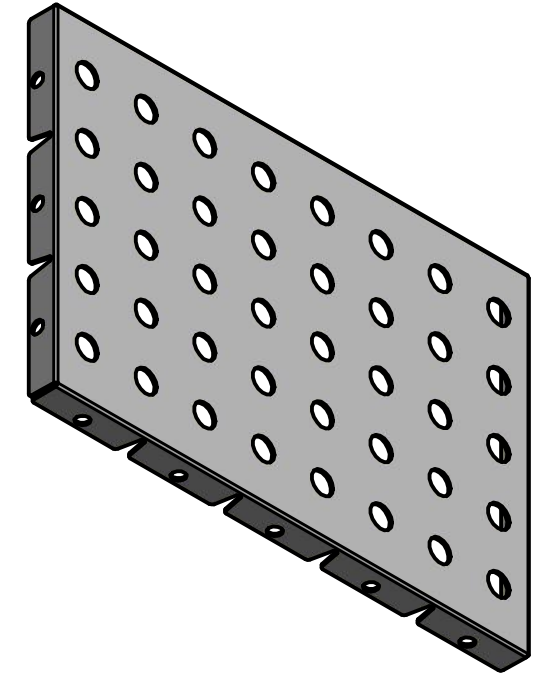
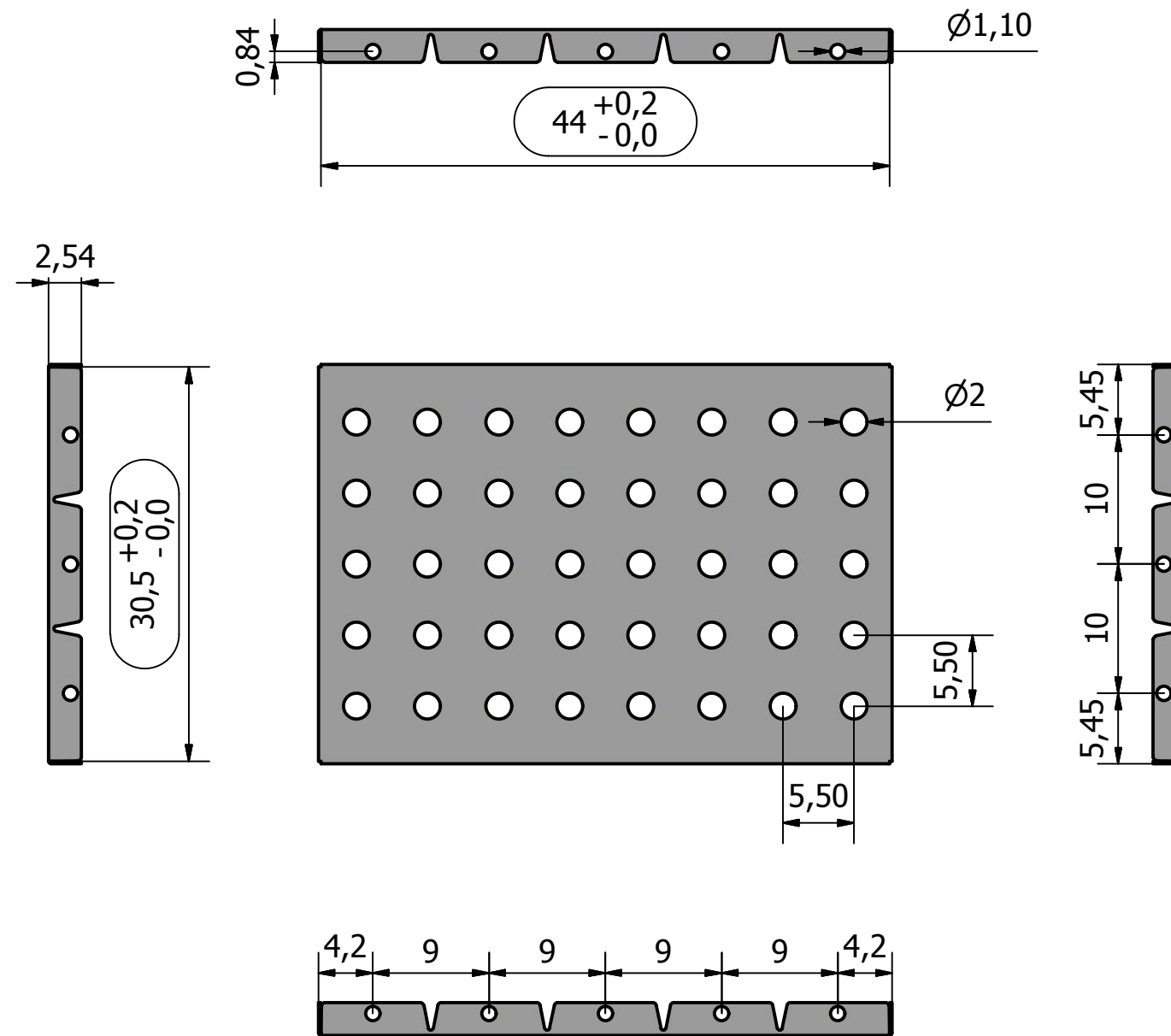
Mekoprint standard series: ONE PIECE. B10-9 / MRP number 1021393A

A (4 : 1)



DESCRIPTION: EMC SHIELD				mekoprint
MATERIAL: TIN PLATED STEEL 0,2 MM				
SURFACE:		MUST BE IN ACCORDANCE WITH DIRECTIVE 2002/95/EC(RoHS)		CUSTOMER DWG. NO.: B10-9
DATE: 12-03-2014	INIT. DESIGNER: AMD	SCALE: 2:1	TOLERANCE: DS/ISO 2768-1M UNLESS OTHERWISE SPECIFIED	MEKOPRINT DWG. NO.: 1021393A

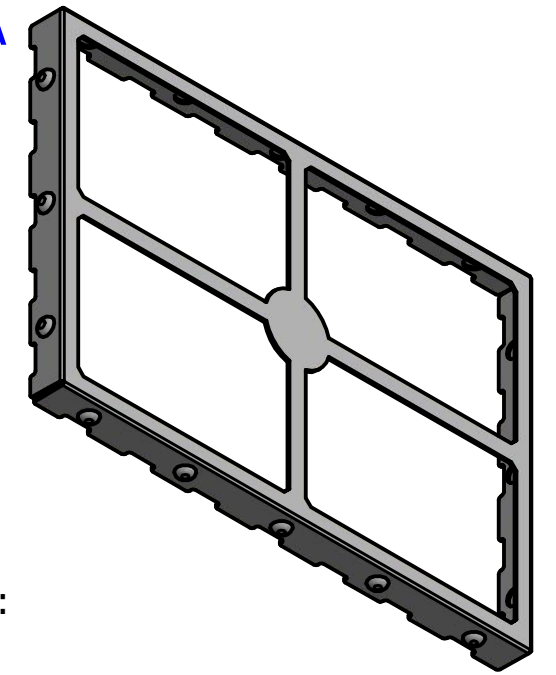
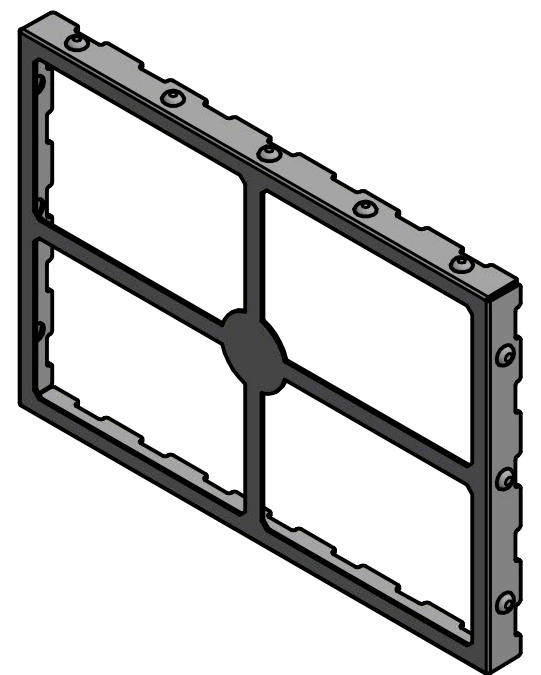
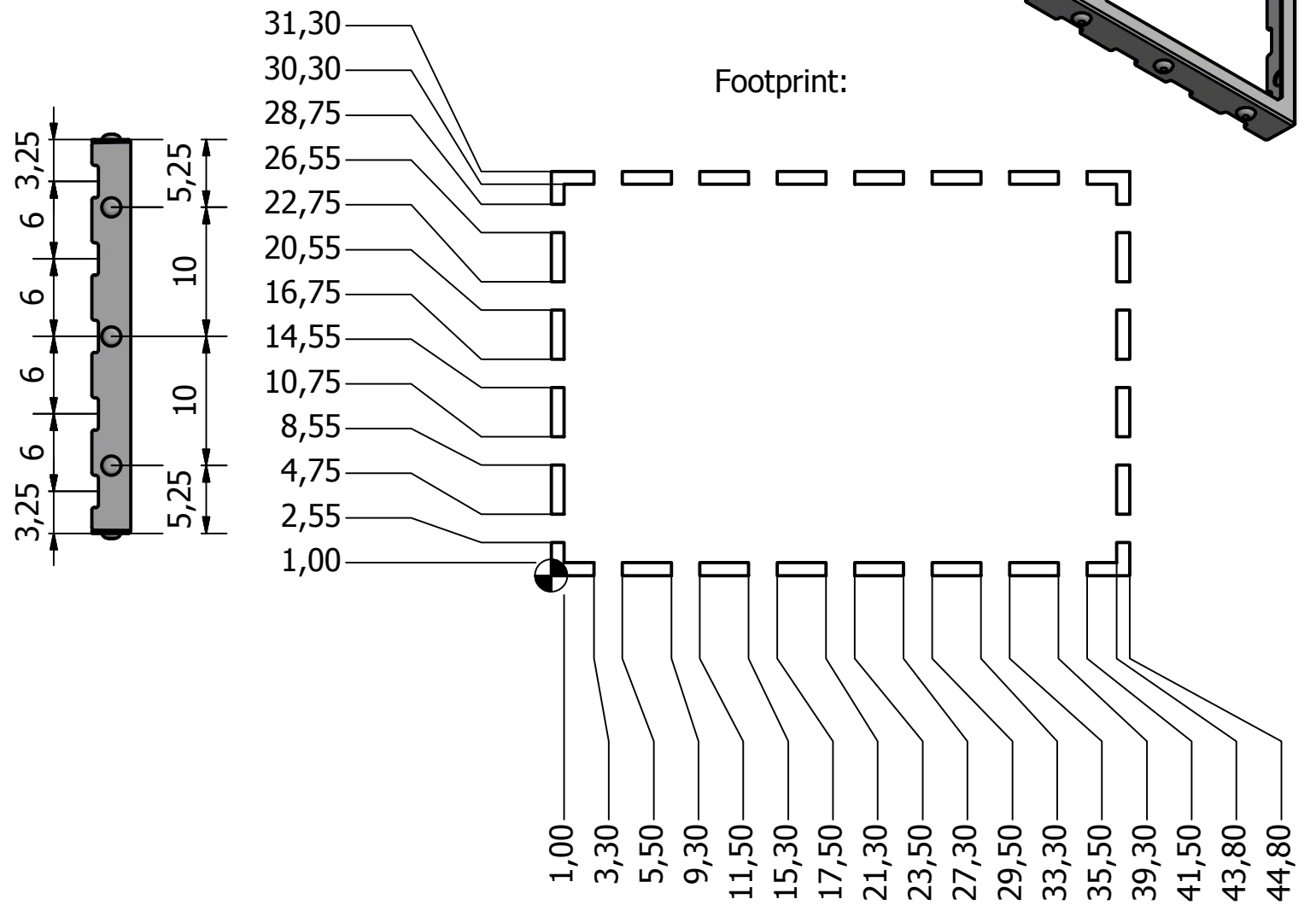
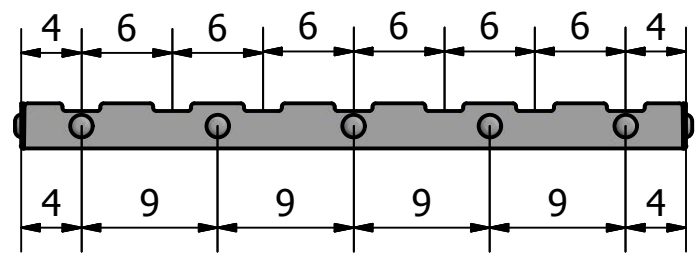
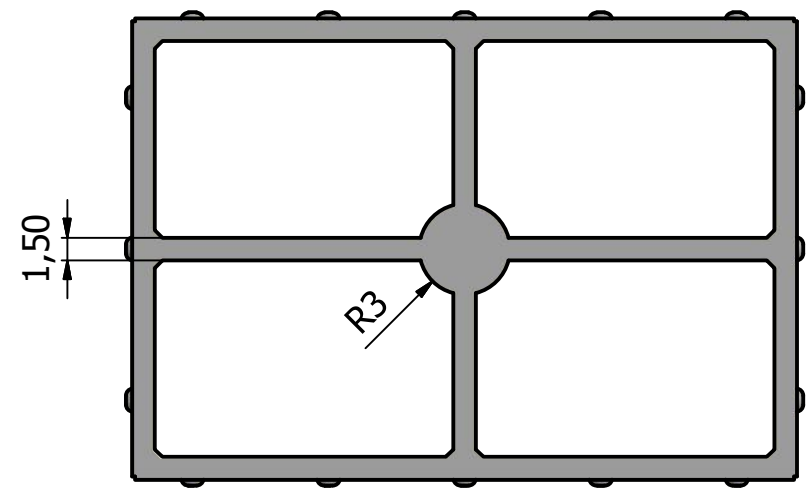
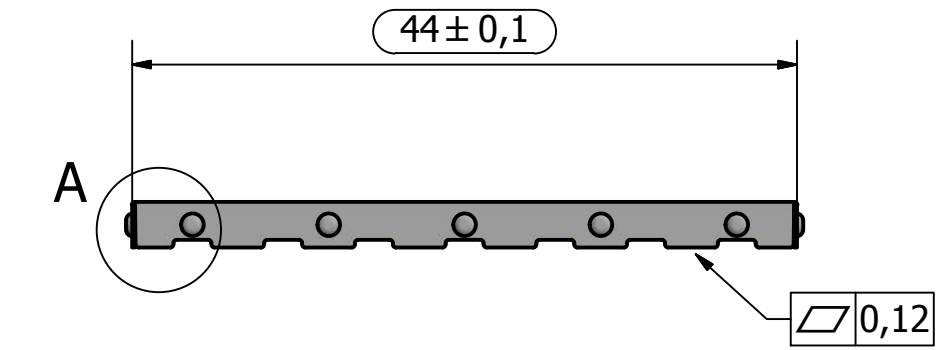
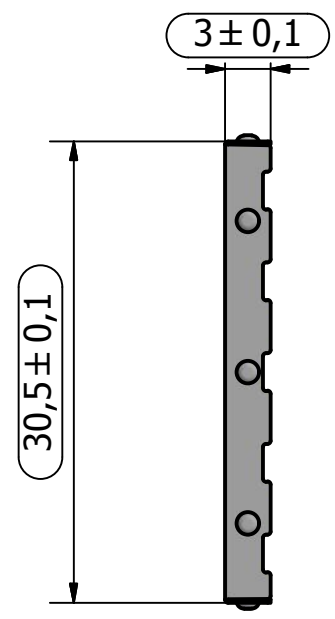
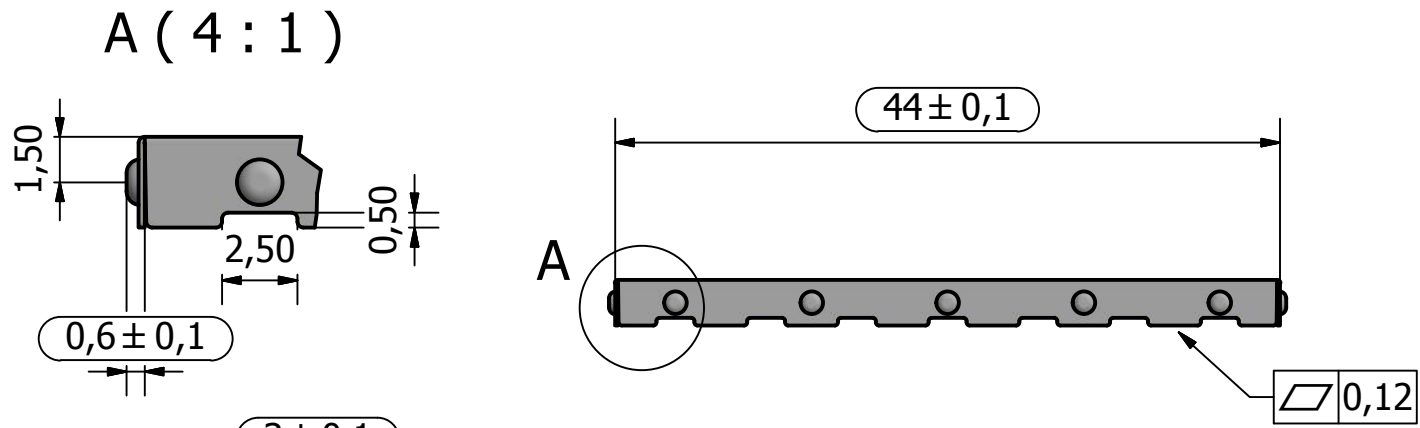
Mekoprint standard series: TWO PIECES. F20-9 & C20-9 / MRP number 1021400A & 1021407A



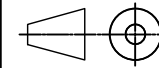
Copyright and property of Mekoprint A/S. This drawing is solely for the purpose of its intended use and is confidential, and may not be passed on to any 3. party without prior written consent from Mekoprint A/S

DESCRIPTION: EMC SHIELD				mekoprint
MATERIAL: TIN PLATED STEEL 0,2 MM			CUSTOMER: MEKOPRINT	
SURFACE:		MUST BE IN ACCORDANCE WITH DIRECTIVE 2002/95/EC(RoHS)	CUSTOMER DWG. NO.: C20-9	
DATE: 12-03-2014	INIT. DESIGNER: AMD	SCALE: 2:1	TOLERANCE: DS/ISO 2768-1M UNLESS OTHERWISE SPECIFIED	MEKOPRINT DWG. NO.: 1021407A

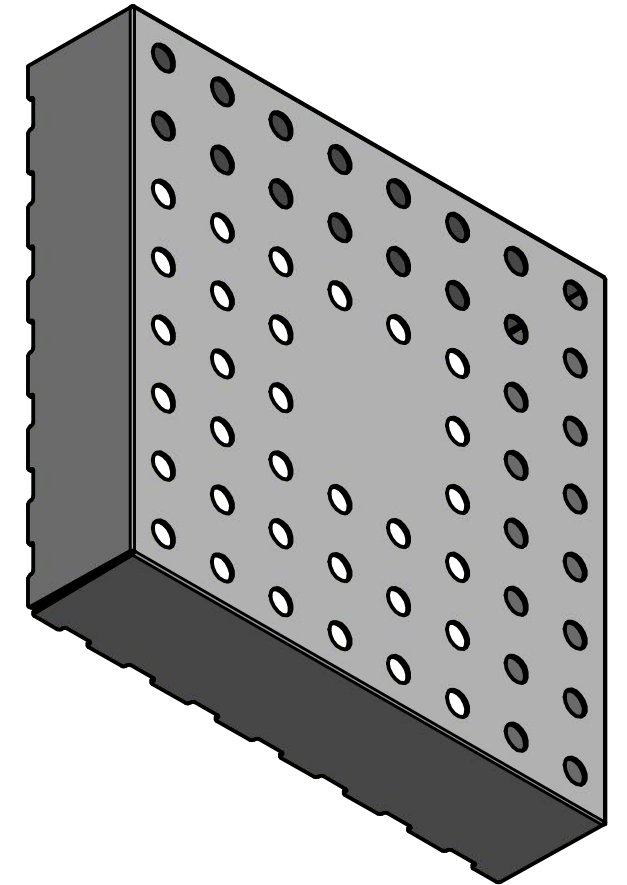
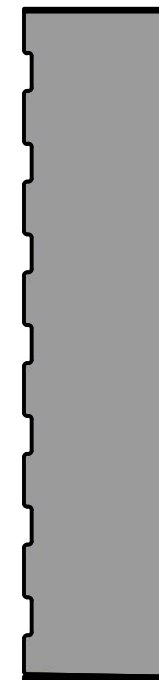
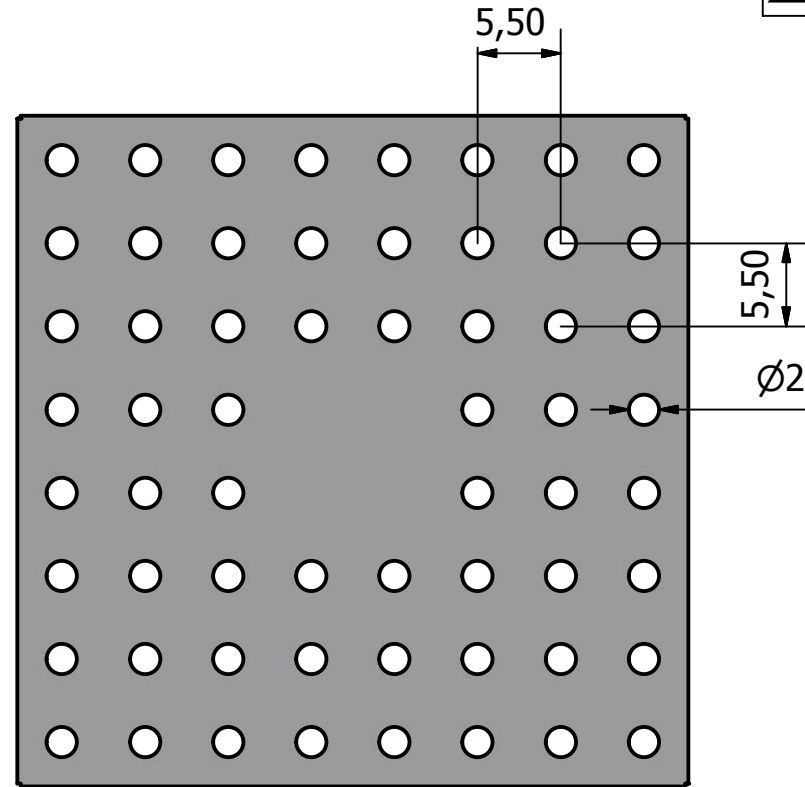
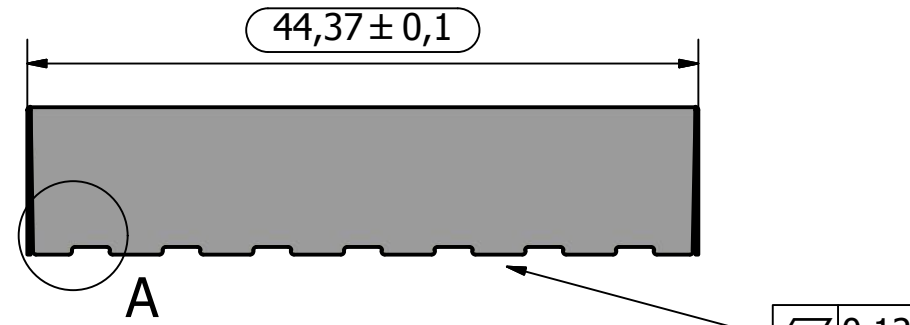
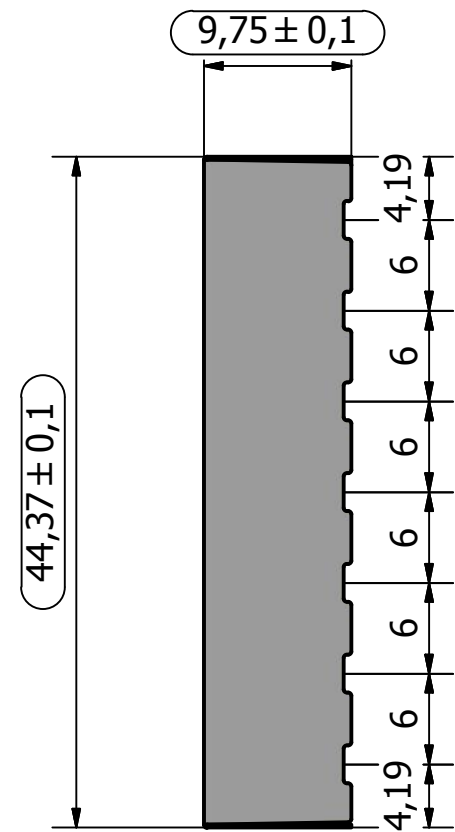
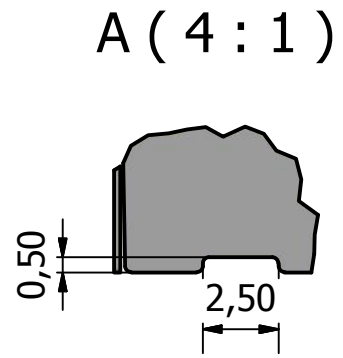
Mekoprint standard series: TWO PIECES. F20-9 & C20-9 / MRP number 1021400A & 1021407A



Copyright and property of Mekoprint A/S. This drawing is solely for the purpose of its intended use and is confidential, and may not be passed on to any 3. party without prior written consent from Mekoprint A/S

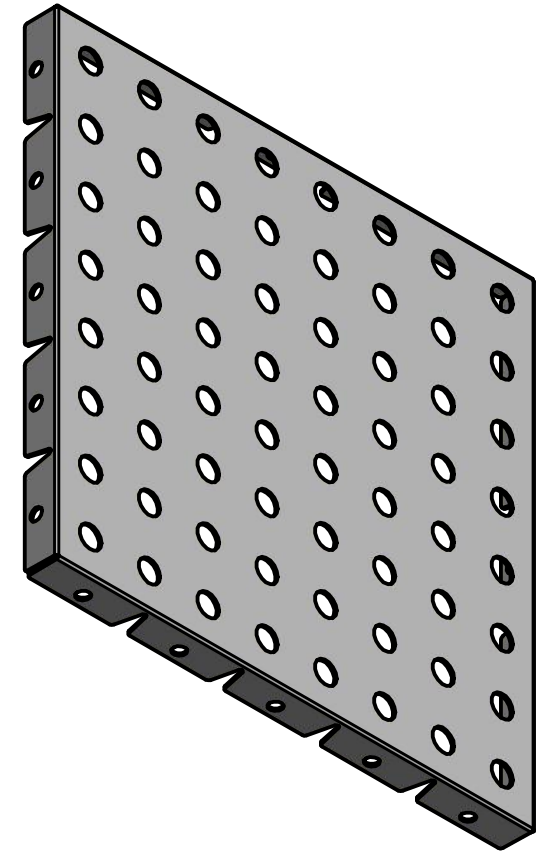
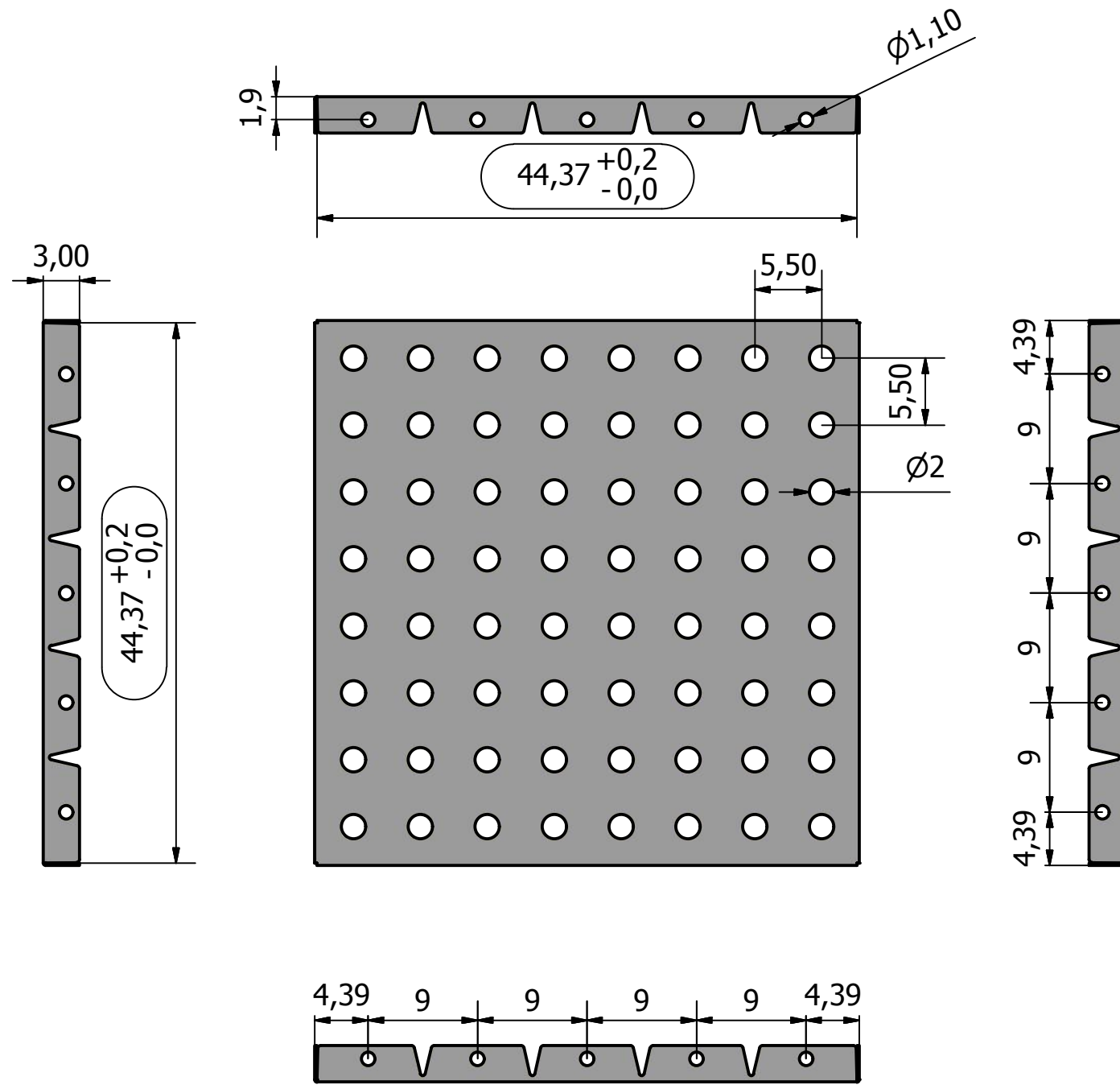
DESCRIPTION: EMC SHIELD					mekoprint	
MATERIAL: TIN PLATED STEEL 0,2 MM					CUSTOMER: MEKOPRINT	
SURFACE:			MUST BE IN ACCORDANCE WITH DIRECTIVE 2002/95/EC(RoHS)		CUSTOMER DWG. NO.: F20-9	
DATE: 12-03-2014	INIT. DESIGNER: AMD	SCALE: 2:1	TOLERANCE: DS/ISO 2768-1M UNLESS OTHERWISE SPECIFIED		MEKOPRINT DWG. NO.: 1021400A	

Mekoprint standard series: ONE PIECE. B10-10 / MRP number 1021394A



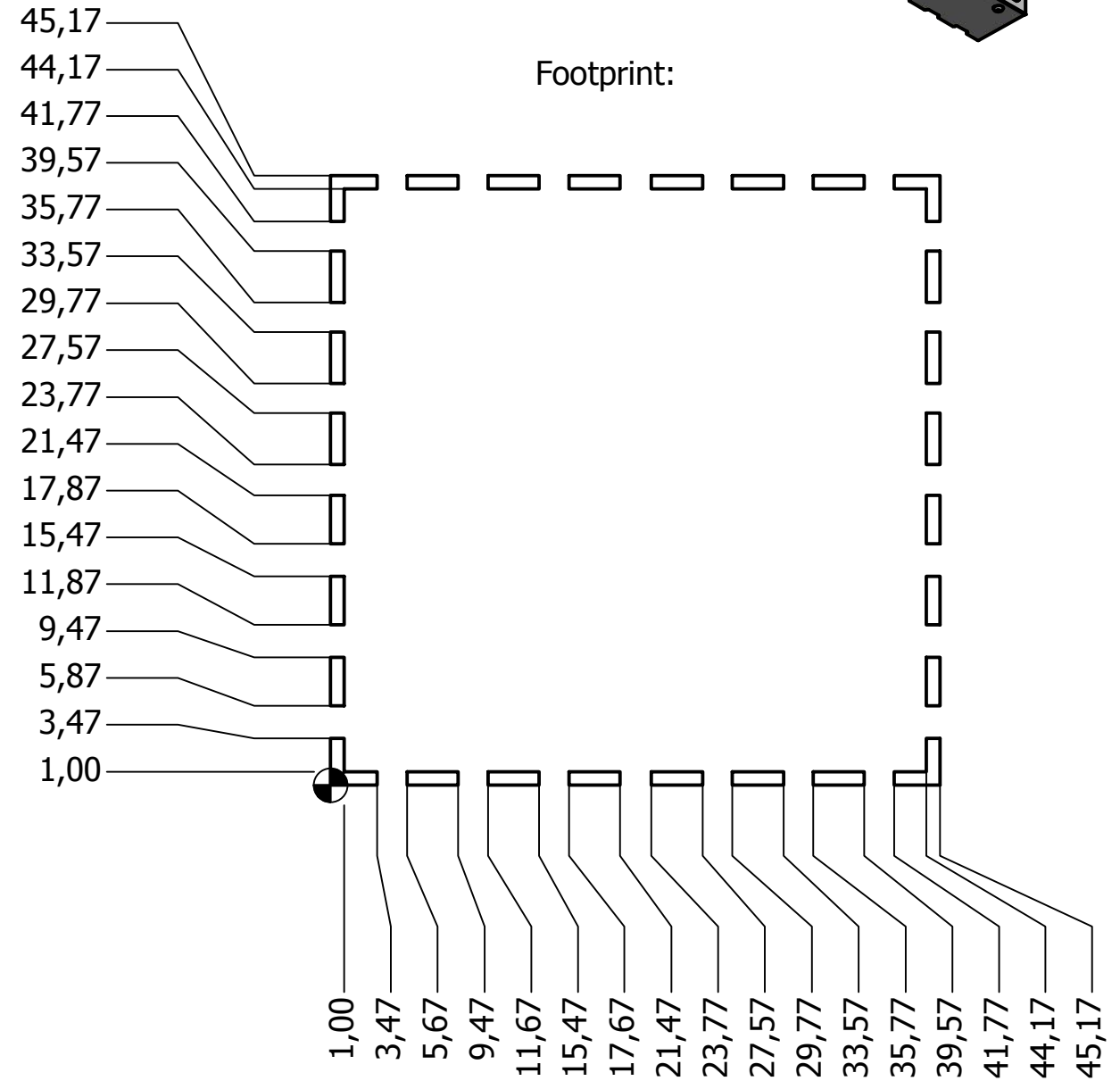
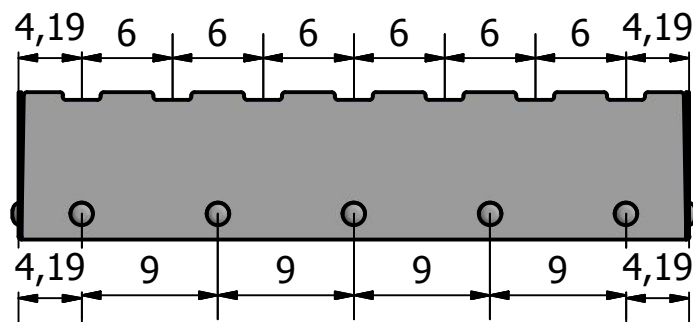
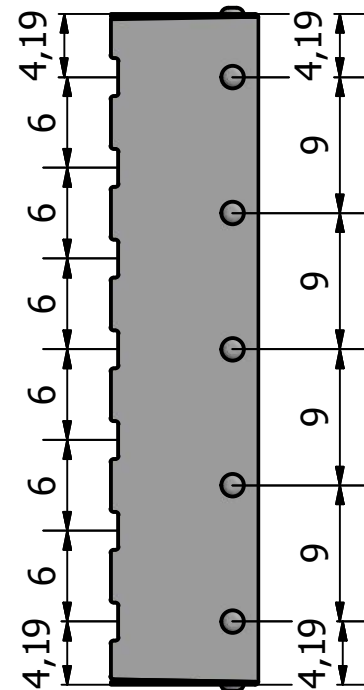
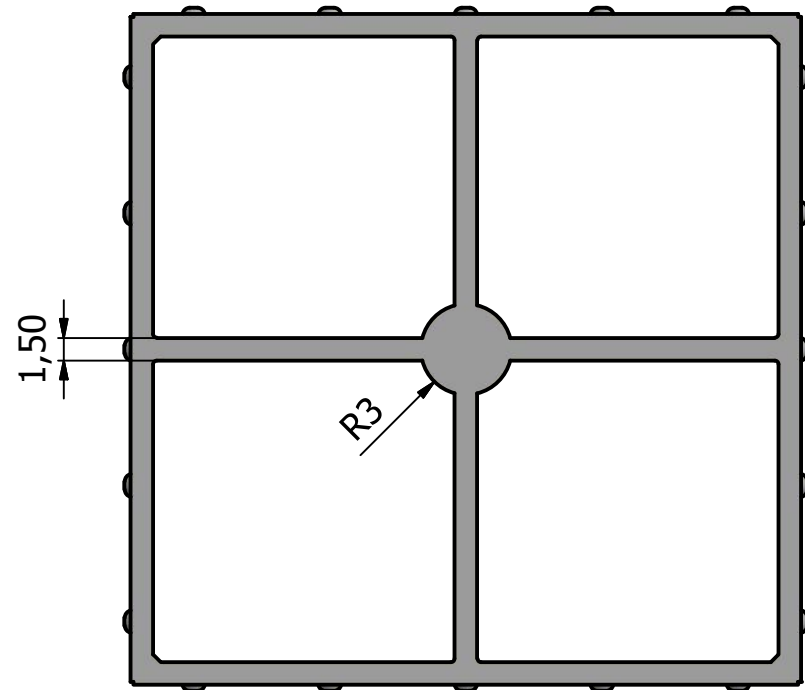
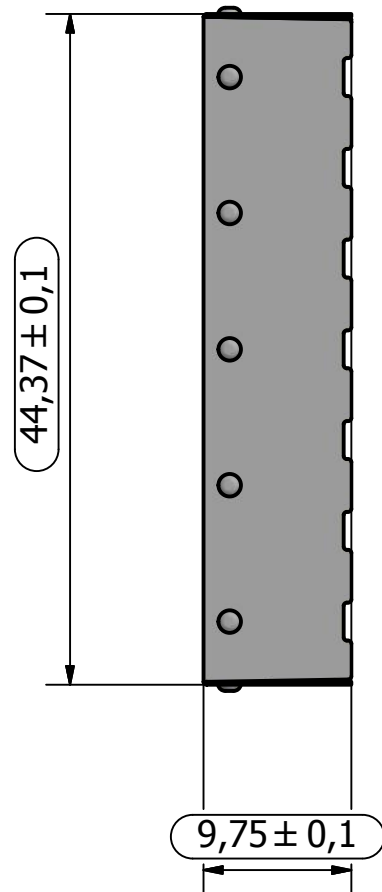
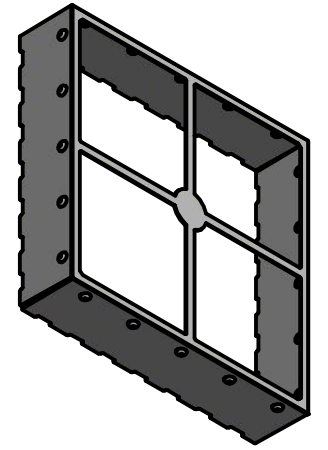
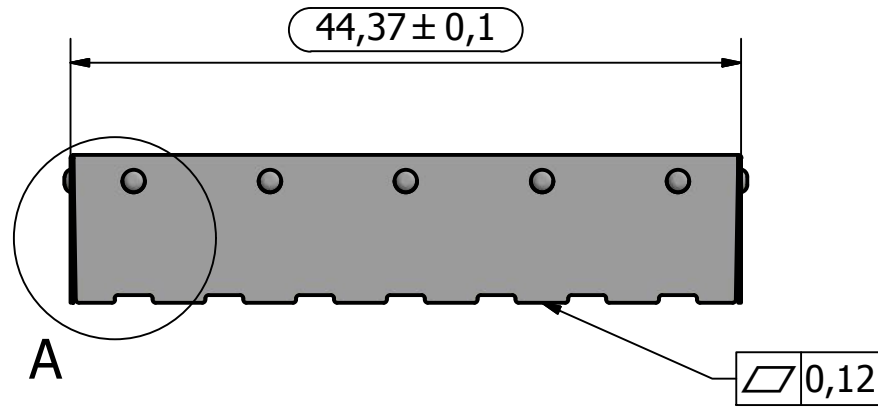
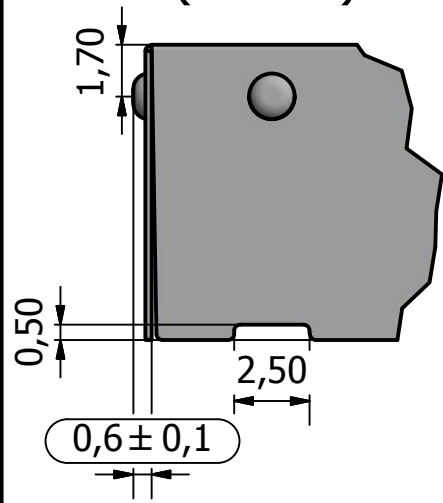
Copyright and property of Mekoprint A/S. This drawing is solely for the purpose of its intended use and is confidential, and may not be passed on to any 3. party without prior written consent from Mekoprint A/S

DESCRIPTION: EMC SHIELD					mekoprint	
MATERIAL: TIN PLATED STEEL 0,2MM				CUSTOMER: MEKOPRINT		
SURFACE:			MUST BE IN ACCORDANCE WITH DIRECTIVE 2002/95/EC(RoHS)		CUSTOMER DWG. NO.: B10-10	
DATE: 11-03-2014	INIT. DESIGNER: AMD	SCALE: 2:1	TOLERANCE: DS/ISO 2768-1M UNLESS OTHERWISE SPECIFIED		MEKOPRINT DWG. NO.: 1021394A	



DESCRIPTION: EMC SHIELD				mekoprint
MATERIAL: TIN PLATED STEEL 0,2MM			CUSTOMER: MEKOPRINT	
SURFACE:		MUST BE IN ACCORDANCE WITH DIRECTIVE 2002/95/EC(RoHS)		CUSTOMER DWG. NO.: C20-10
DATE: 12-03-2014	INIT. DESIGNER: AMD	SCALE: 2:1	TOLERANCE: DS/ISO 2768-1M UNLESS OTHERWISE SPECIFIED	MEKOPRINT DWG. NO.: 1021408A

A (4 : 1) Mekoprint standard series: Two Pieces. F20-10 & C20-10 / MRP number 1021401A & 1021408



Copyright and property of Mekoprint A/S. This drawing is solely for the purpose of its intended use and is confidential, and may not be passed on to any 3. party without prior written consent from Mekoprint A/S

DESCRIPTION: EMC SHIELD				mekoprint
MATERIAL: TIN PLATED STEEL 0,2 MM				CUSTOMER: MEKOPRINT
SURFACE:		MUST BE IN ACCORDANCE WITH DIRECTIVE 2002/95/EC(RoHS)		CUSTOMER DWG. NO.: F20-10
DATE: 11-03-2014	INIT. DESIGNER: AMD	SCALE: 2:1	TOLERANCE: DS/ISO 2768-1M UNLESS OTHERWISE SPECIFIED	MEKOPRINT DWG. NO.: 1021401A